



INSTALLATION AND OPERATION MANUAL

Software version: 1.5x

code 80395S - 06/2019 - ENGLISH

INDEX

1 • PRELIMINARY INSTRUCTIONS.....2	
1.1 General Description.....2	
1.2 Preliminary instruction.....2	
2 • INSTALLATION AND CONNECTION.....3	
2.1 Electrical power supply.....3	
2.2 Notes on electrical safety and electromagnetic compatibility:.....3	
2.3 Instrument power supply.....3	
2.4 Input and output connections.....3	
2.5 Dimensions.....6	
2.6 Installation.....7	
2.7 Short circuit protection.....8	
2.8 General description.....9	
2.9 Cleaning/checking or replacing the fan.....10	
2.10 Inserting the field bus interface board.....10	
3 • ELECTRICAL CONNECTIONS11	
3.1 Power connections.....11	
3.2 Input/Output Connections.....12	
3.3 Connector J1 outputs 5...10.....13	
3.4 Connector J2 power supply, digital inputs 1, 2.....16	
3.5 Connector J3 auxiliary inputs 5...8.....17	
3.6 Connector J4 inputs 1...4.....18	
3.7 Description of dip-switches.....19	
3.8 Serial communication ports.....20	
3.9 Connection example: communication ports.....27	
3.10 Connection example: Power section.....28	
4 • INSTALLATION OF “MODBUS” SERIAL NETWORK31	
4.2 “AUTOBAUD SERIAL 1” sequence.....32	
4.1 “AUTONODE PORT 1” sequence.....32	
5 • TECHNICAL DATA33	
5.2 Voltage/Current Table.....35	
5.1 Dissipation curves.....35	
6 • TECHNICAL / COMMERCIAL INFORMATION.....36	
6.1 Accessories.....36	
6.2 Fuses.....37	

GRAPHIC SYMBOLS

To differentiate the type and importance of the information in this User Manual, graphic reference symbols are used to make such information easier to interpret.



Indicates contents of sections, general instructions, notes, and other points to which the reader's attention needs to be called.



Indicates a suggestion based on the experience of GEF4's Technical Personnel that could be especially useful under certain circumstances.



Indicates a particularly delicate situation that could affect the safety or correct operation of the controller, or an instruction that **MUST** be followed to prevent hazards.



Indicates a reference to Detailed Technical Documents available on the GEF4 website www.gefran.com.



Indicates a risk to the user's safety due to high voltage at the points indicated.

1 • PRELIMINARY INSTRUCTIONS



The section contains general information and warnings to be read before installing, configuring and using the controller..

1.1 GENERAL DESCRIPTION

GFX4 is an extremely compact, independent unit for separate control of 4 zones, complete with communication interface in all popular fieldbus standards.

It offers an exclusive combination of performance, reliability, and flexibility. In particular, this new line of Gefran controllers is the ideal solution for sectors demanding high performance and continuity of service, such as:

- extrusion lines
- plastics injection presses
- thermoforming machines
- packaging and packing machines
- etc.

Series GFX4 controllers are based on an extremely versatile hardware and software platform, with options to select the best I/O configuration for your system.



Attention: the description of programming and configuration parameters are contained in the "Programming and configuration" manual, downloadable from the website www.gefran.com

1.2 PRELIMINARY INSTRUCTION

Read the following preliminary instructions before installing and using the GFX4 modular power controller.



This will make start-up faster and avoid some problems that could be mistakenly interpreted as malfunctions or limitations of the controller.

Immediately after unpacking the unit, check the order code and the other data on the label attached to the outside of the container.

Write them on the following table.

This data must always be available and given to Gefran

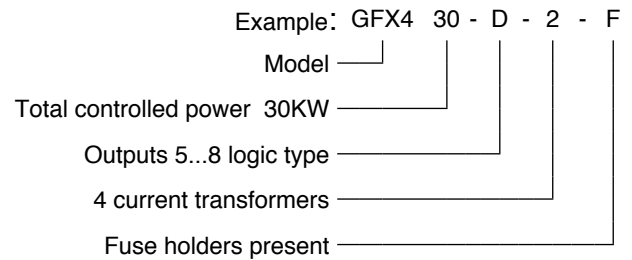
Customer Care representatives if technical service is needed.

SN.....	(Serial Number)
CODE	(Product code)
TYPE.....	(Order code)
SUPPLY.....	(Type of electrical power supply)
VERS.	(Firmware Version)

the controller is in perfect condition, was not damaged during shipment, and that the package also contains the "Configuration and Programming" manual.

Immediately report any errors, shortages, or signs of damage to your Gefran dealer.

Check that the order code matches the configuration requested for the intended application by consulting the section: "Technical-Commercial Information."



See paragraph 2.1 "Dimensions and mounting" before installing the GFX4 controller on the machine/host system control panel.

In case of PC configuration, make sure you have the WINSTRUM Kit.

For the order code, see Section 7 "Technical-Commercial Information".



Users and/or system integrators who want detailed information on serial communication between Gefran standard and/or industrial PCs and Gefran Programmable Instruments can access Technical Reference Documents on serial communication and MODBus protocol, etc., in Adobe Acrobat format on the Gefran website www.gefran.com:

- Serial Communication
- MODBus Protocol

Before calling Gefran Customer Care in case of assumed malfunctions, please see the Troubleshooting Guide in the "Maintenance" section and, if necessary, the F.A.Q. (Frequently Asked Questions) section on the Gefran website

www.gefran.com

2 · INSTALLATION AND CONNECTION



This section contains the instructions needed for correct installation of GFX4 controllers on the machine/host system control panel and for correct connection of the power supply, inputs, outputs and interfaces.

CAREFULLY READ THE FOLLOWING WARNINGS BEFORE INSTALLING THE INSTRUMENT!



Disregard of such warnings could create electrical safety and electromagnetic compatibility problems, as well as void the warranty.

2.1 ELECTRICAL POWER SUPPLY

- the controller DOES NOT have an On/Off switch: the user must install a 2-phase switch/isolator conforming to safety requisites (CE mark) to cut off the power supply up-line of the controller.

The switch must be installed in the immediate vicinity of the controller in easy reach of the operator.

A single switch can be used for multiple controllers.

- if the controller is connected to devices that are NOT electrically isolated (for example, thermocouples), the ground connection must be made with a specific conductor and NOT via the machine structure.

- if the controller is used in applications with risk of harm to persons or damage to machines or materials, it MUST be equipped with auxiliary alarm devices.

It is advisable to provide the ability to check for tripped alarms during regular operation.

DO NOT install the controller in rooms with hazardous (flammable or explosive) atmosphere; it may be connected to elements that operated in such atmosphere only by means of appropriate interfaces that conform to current safety standards.

2.2 NOTES ON ELECTRICAL SAFETY AND ELECTROMAGNETIC COMPATIBILITY:

2.2.1 CE MARK: EMC

(electromagnetic compatibility) conformity

in compliance with Directive EMC 2004/108/CE.

Series GFX4 controllers are mainly intended for industrial use, installed on panels or control panels of production process machines or systems.

For purposes of electromagnetic compatibility, the most restrictive generic standards have been adopted, as shown on the table

2.2.2 LV (low voltage) conformity

in compliance with Directive 2006/95/CE

EMC conformity has been verified with the connections indicated on Table 1.



Recommendations for Correct Installation for purposes of EMC

2.3 INSTRUMENT POWER SUPPLY

- The power supply for the electronic instrumentation on the panels must always come directly from a cut-off device with fuse for the instrument part.
- Electronic instrumentation and electromechanical power devices such as relays, contactors, solenoids, etc., MUST ALWAYS be powered by separate lines.
- When the power supply line of electronic instruments is heavily disturbed by switching of thyristor power groups or by motors, you should use an isolation transformer only for the controllers, grounding its sheathing.
- It is important for the system to be well-grounded:
 - voltage between neutral and ground must not be $> 1V$
 - Ohmic resistance must be $< 6\Omega$;
- If the grid voltage is highly unstable, use a voltage stabilizer.
- In proximity of high-frequency generators or arc welders, use adequate grid filters.
- The power supply lines must be separate from instrument input and output lines.
- Supply from Class II or from limited energy source

2.4 INPUT AND OUTPUT CONNECTIONS

- Connected outside circuits must be doubly isolated.
- To connect analog inputs, strain gauges, linears, (TC, RTD), you have to:
 - physically separate the input cables from those of the power supply, outputs, and power connections.
 - use braided and shielded cables, with sheathing grounded at a single point.
- To connect the control outputs and alarm outputs (contactors, solenoids, motors, fans, etc.), install RC (series of capacitors and resistors) groups parallel to inductive loads that work in AC.
(Note: all condensers must conform to VDE standards (class X2) and support voltage of at least 220Vac. Resistances must be at least 2W).
- Install a 1N4007 diode parallel to the coil of inductive loads that work in DC.



GEFRAN S.p.A. assumes no liability for any damage to persons or property deriving from tampering, from incorrect or improper use, or from any use not conforming to the characteristics of the controller and to the instructions in this User Manual. Appropriate devices must be provided: fuses or automatic switches to protect power lines. The fuses present in the module function solely as a protection for the GFX4 semiconductors.

Table 1 EMC Emission

AC semiconductor motor controllers and conductors for non motor loads	EN 60947-4-3	
Emission enclosure	EN 60947-4-3 CISPR-11 EN 55011	Class A Group 2

Table 2 EMC Immunity

Generic standards, immunity standard for industrial environments	EN 60947-4-3	
ESD immunity	EN 61000-4-2	4 kV contact discharge 8 kV air discharge
RF interference immunity	EN 61000-4-3 /A1	10 V/m amplitude modulated 80 MHz-1 GHz 10 V/m amplitude modulated 1.4 GHz-2 GHz
Conducted disturbance immunity	EN 61000-4-6	10 V/m amplitude modulated 0.15 MHz- 80 MHz
Burst immunity	EN 61000-4-4	2 kV power line 2 kV I/O signal line
Pulse immunity	EN 61000-4-5	Power line-line 1 kV (level 2) Power line-earth 2kV (level 3) Signal line-earth 1kV (level 2)
Magnetic fields immunity	EN 61000-4-8	100 A/m (level 5)
Voltage dips, short interruptions and voltage immunity tests	EN 61000-4-11	100%U, 70%U, 40%U,

Table 3 LVD safety

Safety requirements for electrical equipment for measurement, control and laboratory use	EN 61010-1	
--	------------	--

ATTENTION

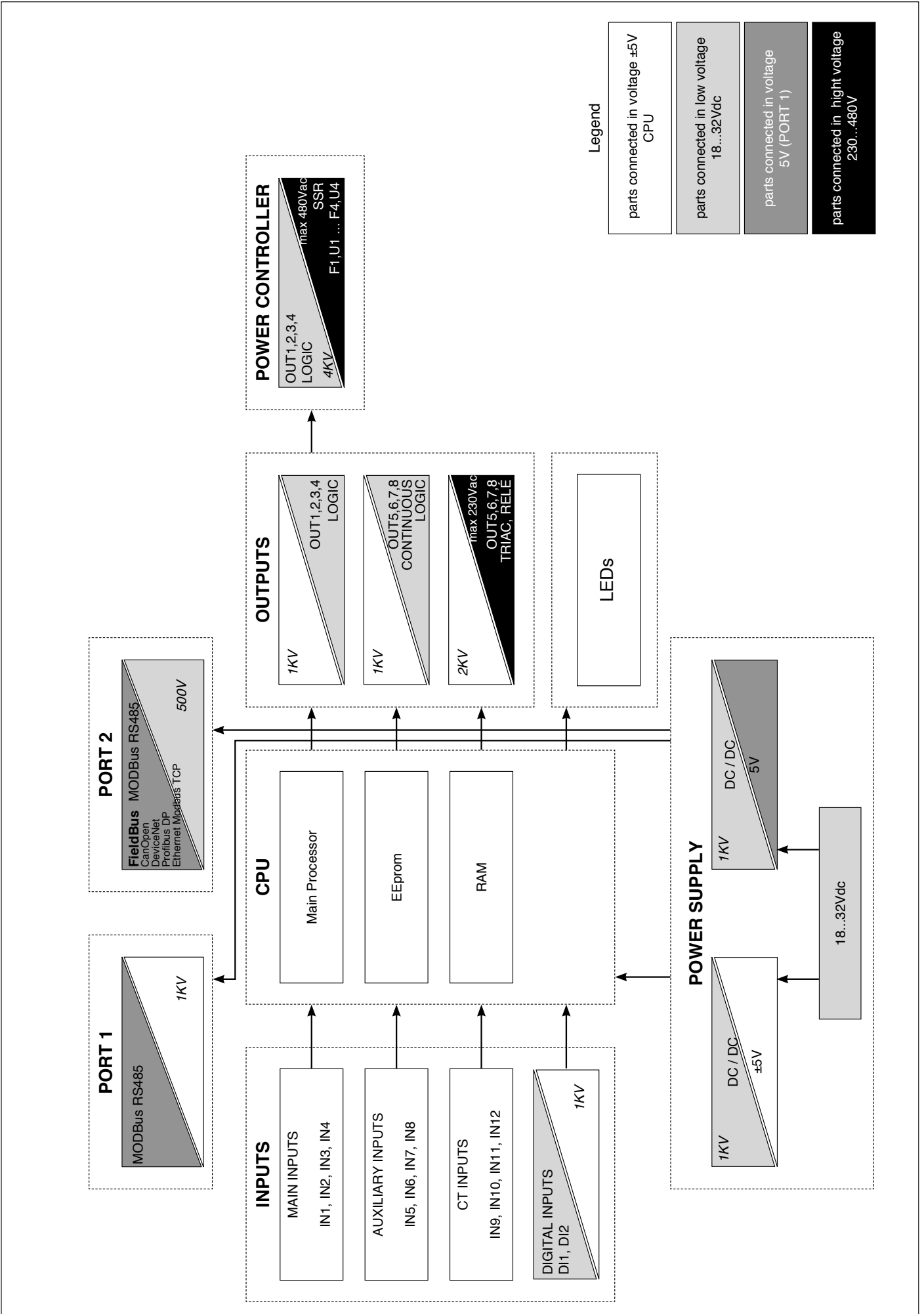
This product has been designed for class A equipment. Use of the product in domestic environments may cause radio interference, in which case the user may be required to employ additional mitigation methods.

WARNING

Conformity UL for SCCR (Short Circuit Current Rating) 100kA for models: **GFX4 - 80 - X - X - 0 - X**

Suitable for use on a circuit capable of delivering not more than 100RMS kA symmetrical, 480VAC when protected only by listed cartridge fuses manufactured by BUSSMAN type DFJ200 non renewable (JDDZ) 200A class J current limiting fuses.

The Declaration of conformity CE is available on request



2.5 DIMENSIONS

Fastening may be done on DIN guide (EN50022) or with (5MA). See Figure 1 and Figure 2. All dimensions are expressed in mm.

Figure 1 Model without fuse holder

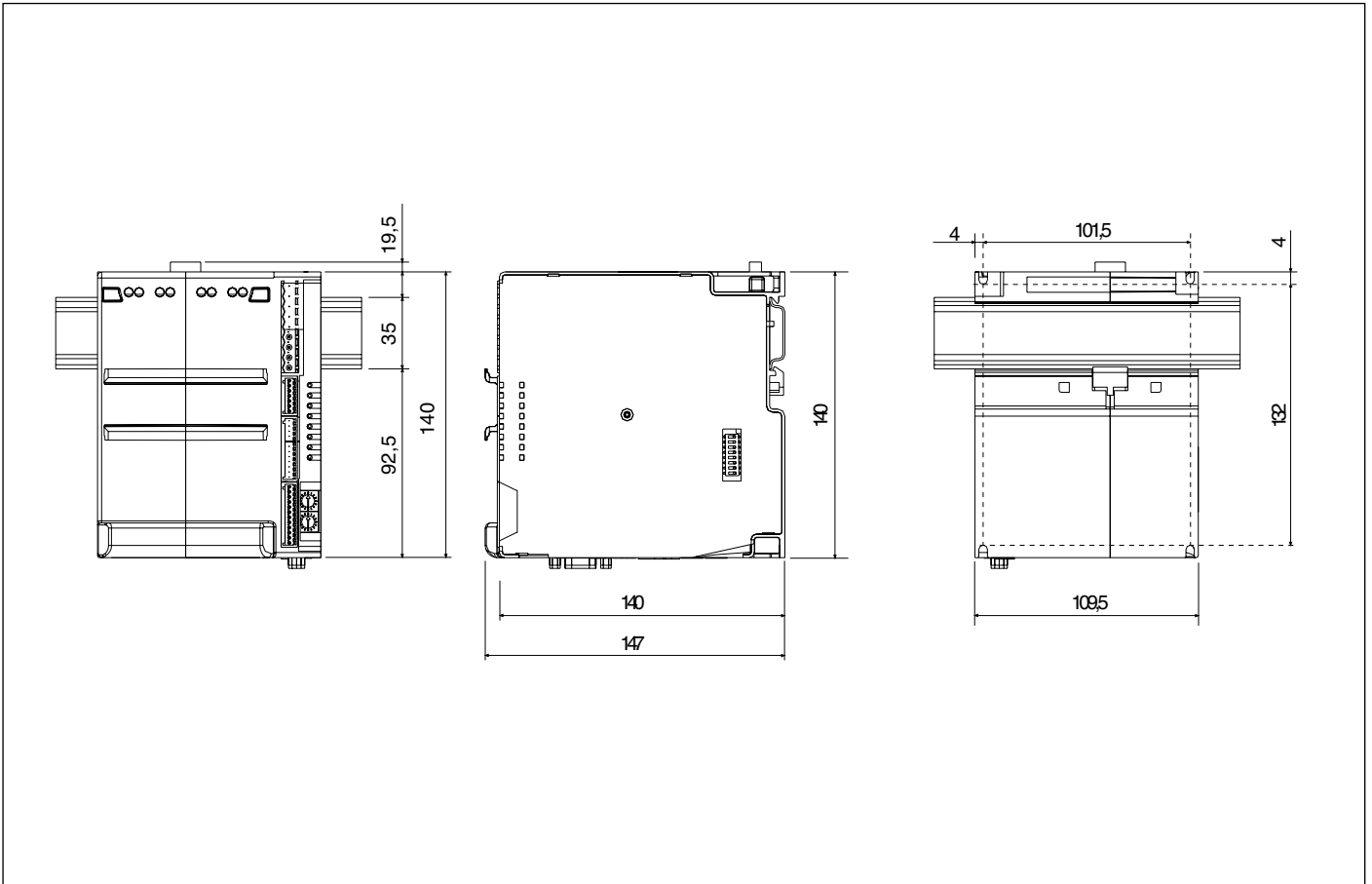
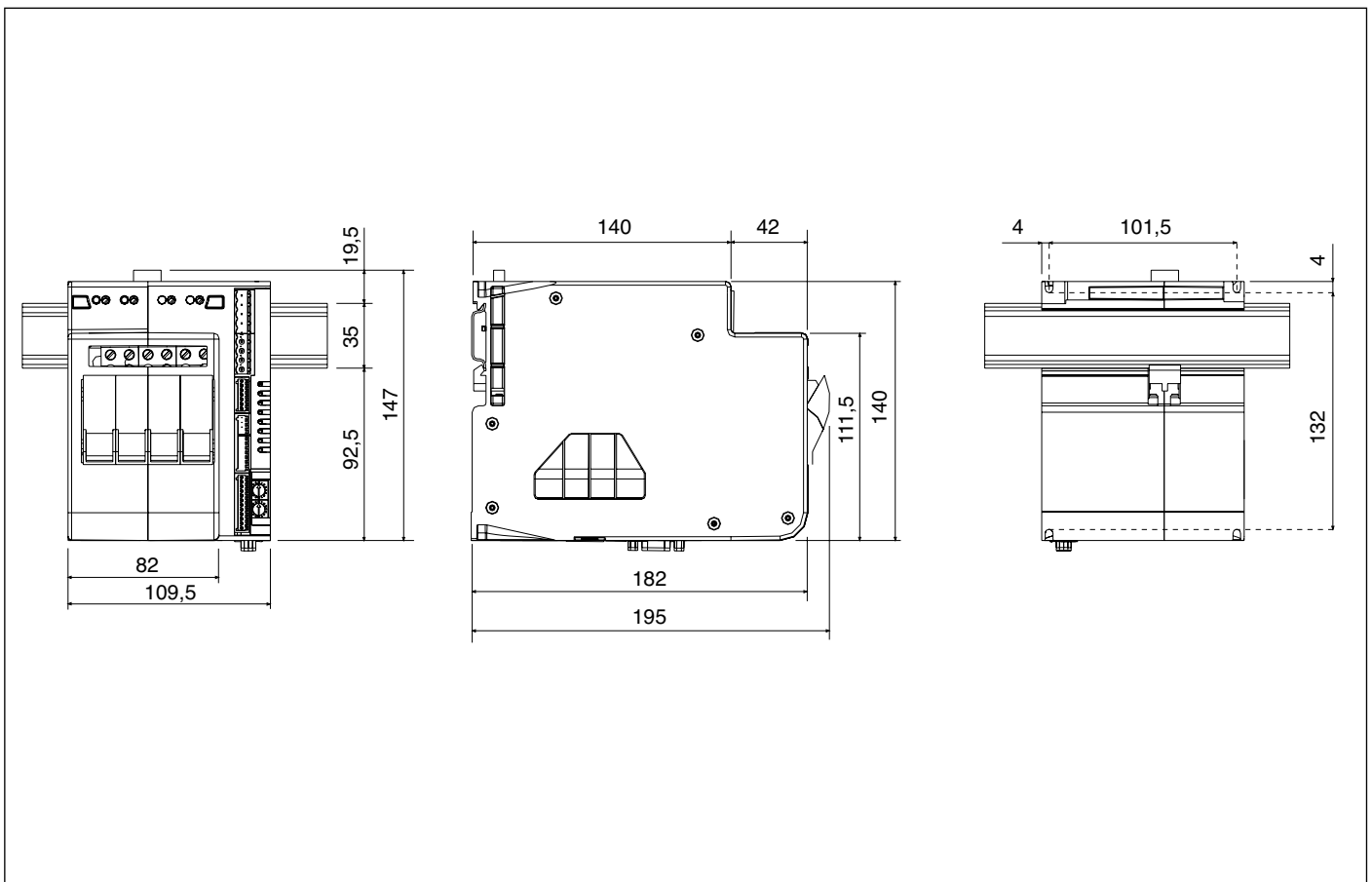


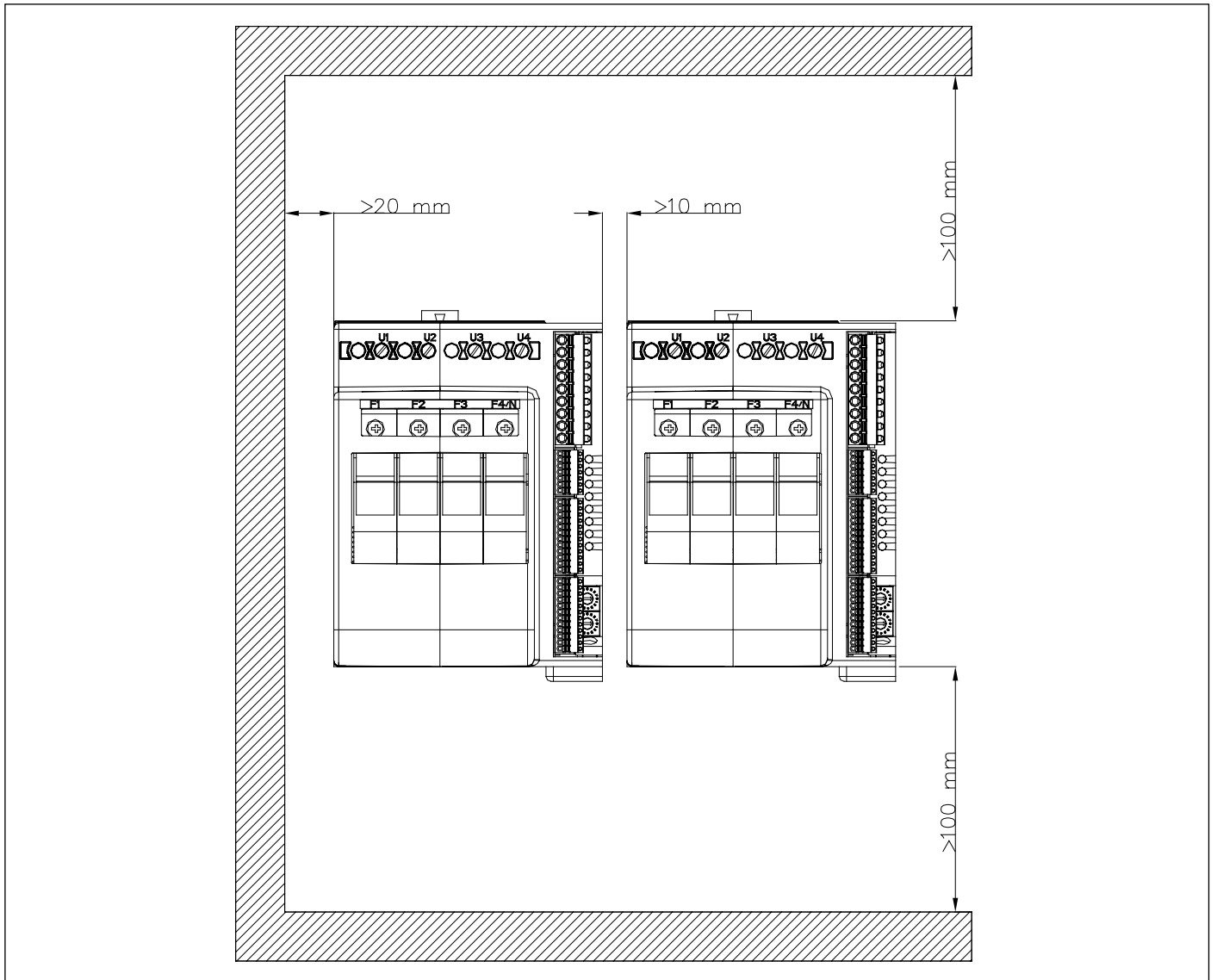
Figure 2 Model with fuse holder





Attention: respect the minimum distances shown in Figure 3 to provide adequate air circulation.

Figure 3



For correct attachment/release of the module on the DIN guide, do as follows:

- keep the attach/release cursor pressed
- insert/remove the module
- release the cursor

Figure 4

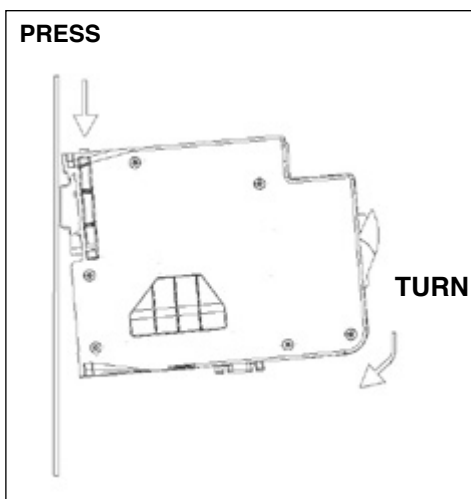


Figure 5

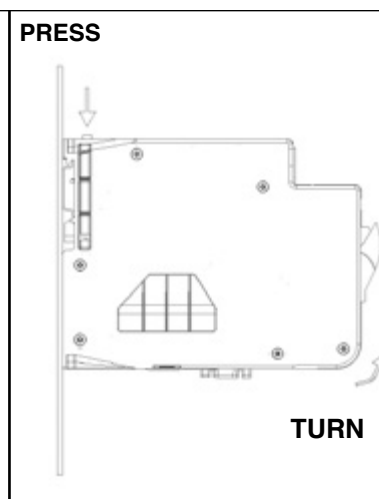
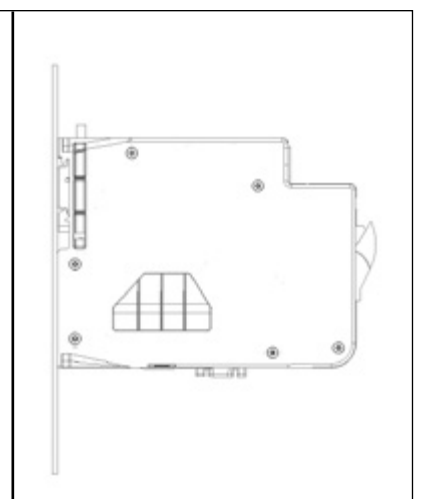


Figure 6



Products listed in table “UL508 SCCR FUSES TABLE “ are suitable for use on a circuit capable of delivering not more than 100,000 A rms Symmetrical Amperes, 480 Volts maximum when protected by fuses.
 Use fuses only

According to UL508, test at 100.000A were carried out with class J fuses or RK5 rated xxxA (refer to table “SCCR fuse protection table” to details of the current size fuses for the fuse).

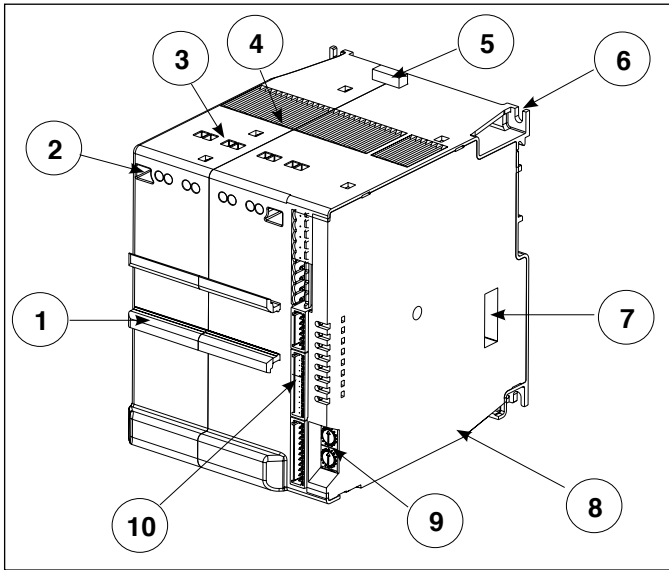
After a shortcircuit the functioning of the device is not guaranteed.
 After a short circuit the operation of the device is not guaranteed. To guarantee the functioning of the device after the short circuit, it is recommend the use of extra rapid fuses as in table “EXTRARAPID FUSES”.

ATTENTION: The opening of the branch-circuit protective device may be an indication that a fault has been interrupted. To reduce the risk of fire or electric shock, current-carrying parts and other components of the device should be examined and replaced if damaged. If burnout of the device occurs, the complete device must be replaced or equivalent.

UL508 SCCR FUSES TABLE				
Model	"Short circuit current [Arms]"	"Max fuse size [A]"	Fuse Class	"Max Voltage [VAC]"
GFX4 30	100.000	30	RK5	600
GFX4 60	100.000	30	RK5	600
GFX4 80	100.000	100	J	600

The fuses on the above table are representative of all the fuses of the same class with lower current ratings

Figure 7




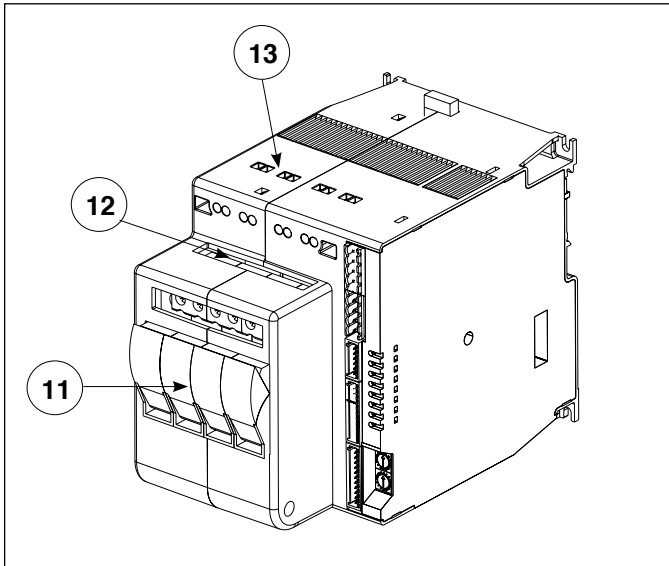
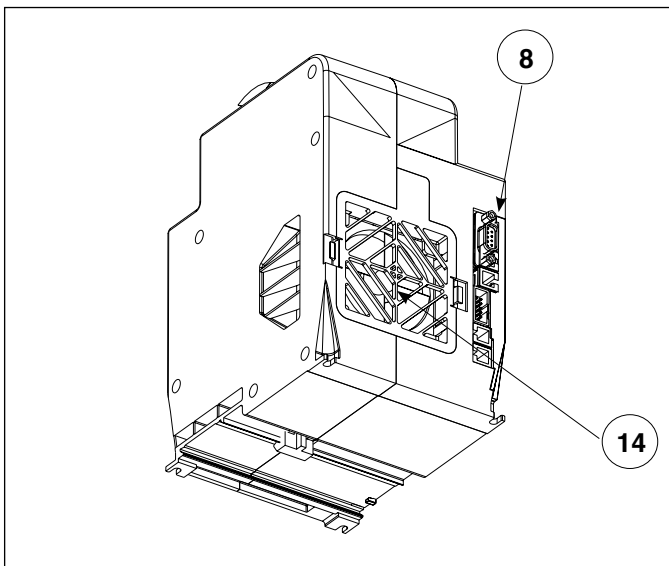
- 1 DIN bar for modules, for example, signal converters (only on models without fuse holders).
- 2 access for screwdriver to power connector screws
- 3 power connection terminals
- 4 ventilation grill: DO NOT OBSTRUCT 
- 5 cursor for insertion/removal of DIN bar attachment
- 6 screw seats for fastening module on plate
- 7 dip switches for function configuration
- 8 connectors for communication ports (Port1, Port2)
- 9 rotary switches for setting node address or number
- 10 signal and power supply connectors (J1, J2, J3, J4)

Figure 8



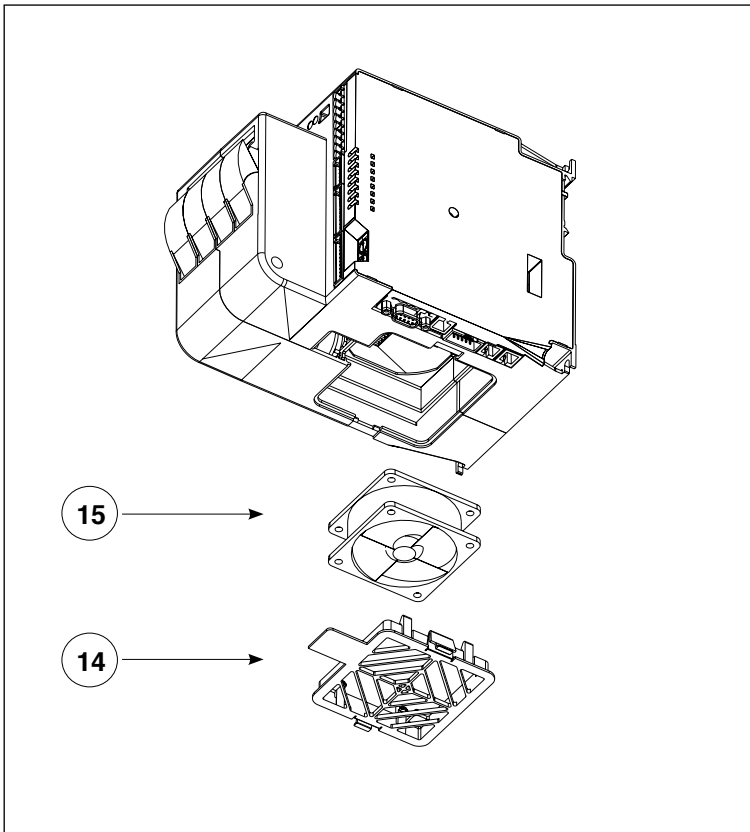
- 11 fuse holder (only for models 30KW and 60KW)
- 12 terminals for fuse holder connection (F1, F2, F3, F4)
- 13 terminals for load power connection (U1, U2, U3, U4)

Figure 9



- 14 ventilation air intake grill: DO NOT OBSTRUCT 

Figure 10



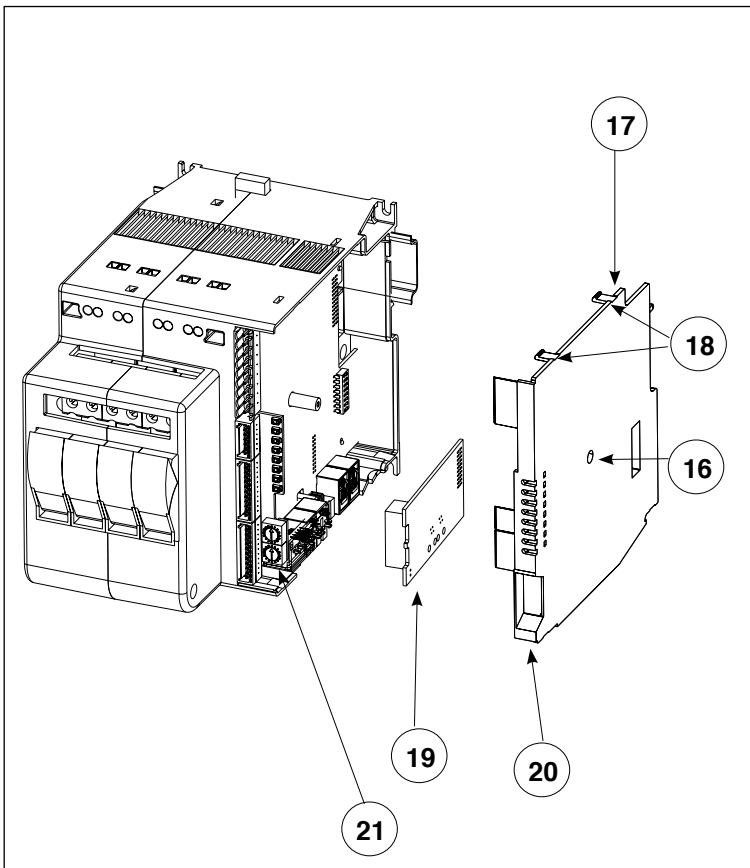
- 14 ventilation air intake grill
- 15 fan

Do as follows:

- a remove the fan grill
- b detach the connector
- c clean or replace the fan



Figure 11



Do as follows::

- a Unscrew screw 16
- b With a screwdriver, gently apply leverage at points 18
- c Remove cover 17
- d Place interface board 19 on the connectors on board 21
- e Remove pre-broken parts 20 on cover 17 based on the type of interface installed
- f Reposition cover 17 in its housing
- g Tighten screw 16

3 · ELECTRICAL CONNECTIONS

3.1 POWER CONNECTIONS

Figure 12 model without fuse holder

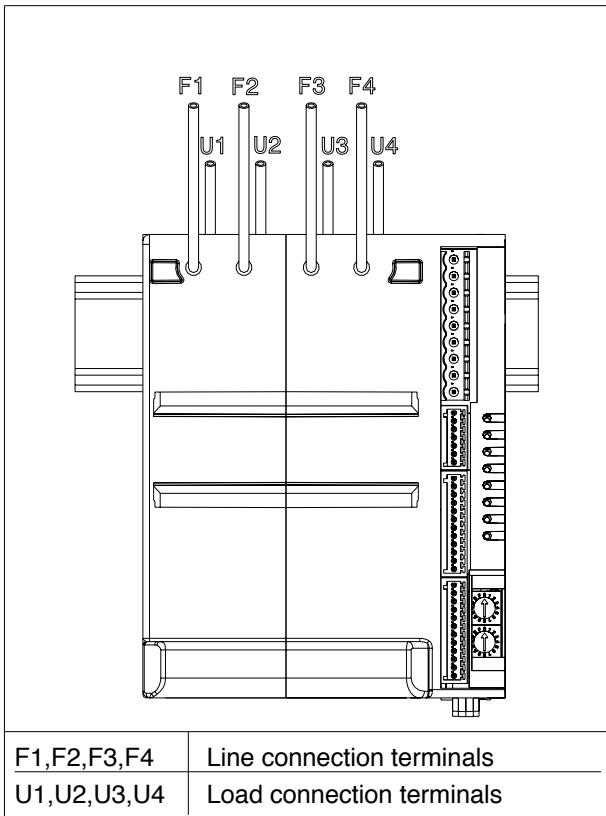


Figure 13 model with fuse holder

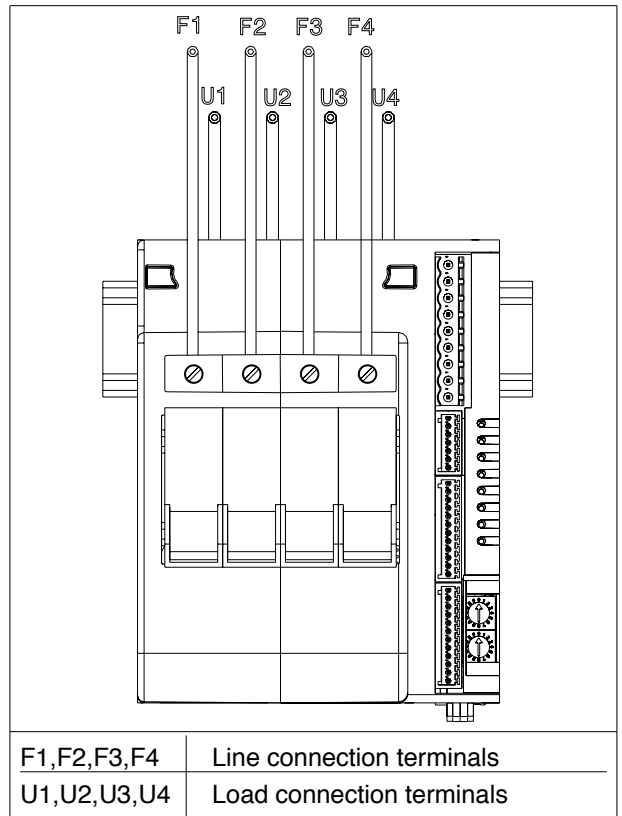


Table 4

Model	30kW		60kW		80kW	
max current	16A		32A (30A)*		57A (40A)*	
 rigid	0,2 - 6mm ²	24-10AWG	0,2 - 6mm ²	24-10AWG	0,5 - 16mm ²	20-6AWG
 flexible	0,2 - 4mm ²	24-10AWG	0,2 - 4mm ²	24-10AWG	0,5 - 10mm ²	20-7AWG
	0,25 - 4mm ²	23-10AWG	0,25 - 4mm ²	23-10AWG	0,5 - 10mm ²	20-7AWG
	0,25 - 4mm ²	23-10AWG	0,25 - 4mm ²	23-10AWG	0,5 - 10mm ²	20-7AWG
	0,5 - 0,6Nm		0,5 - 0,6Nm		1,2 - 1,5Nm	

* UL certification

3.2 INPUT/OUTPUT CONNECTIONS

Use adequate compensated cable for thermocouple inputs. Respect polarity by avoiding junctions on the cables. If the thermocouple is grounded, the connection must be at a single point. For resistance thermometer inputs, use copper extension cables. Resistance must not exceed 20 ohm; avoid junctions on the cables. For 2-wire resistance thermometer, make the connection indicated instead of the third wire.

Figure 14

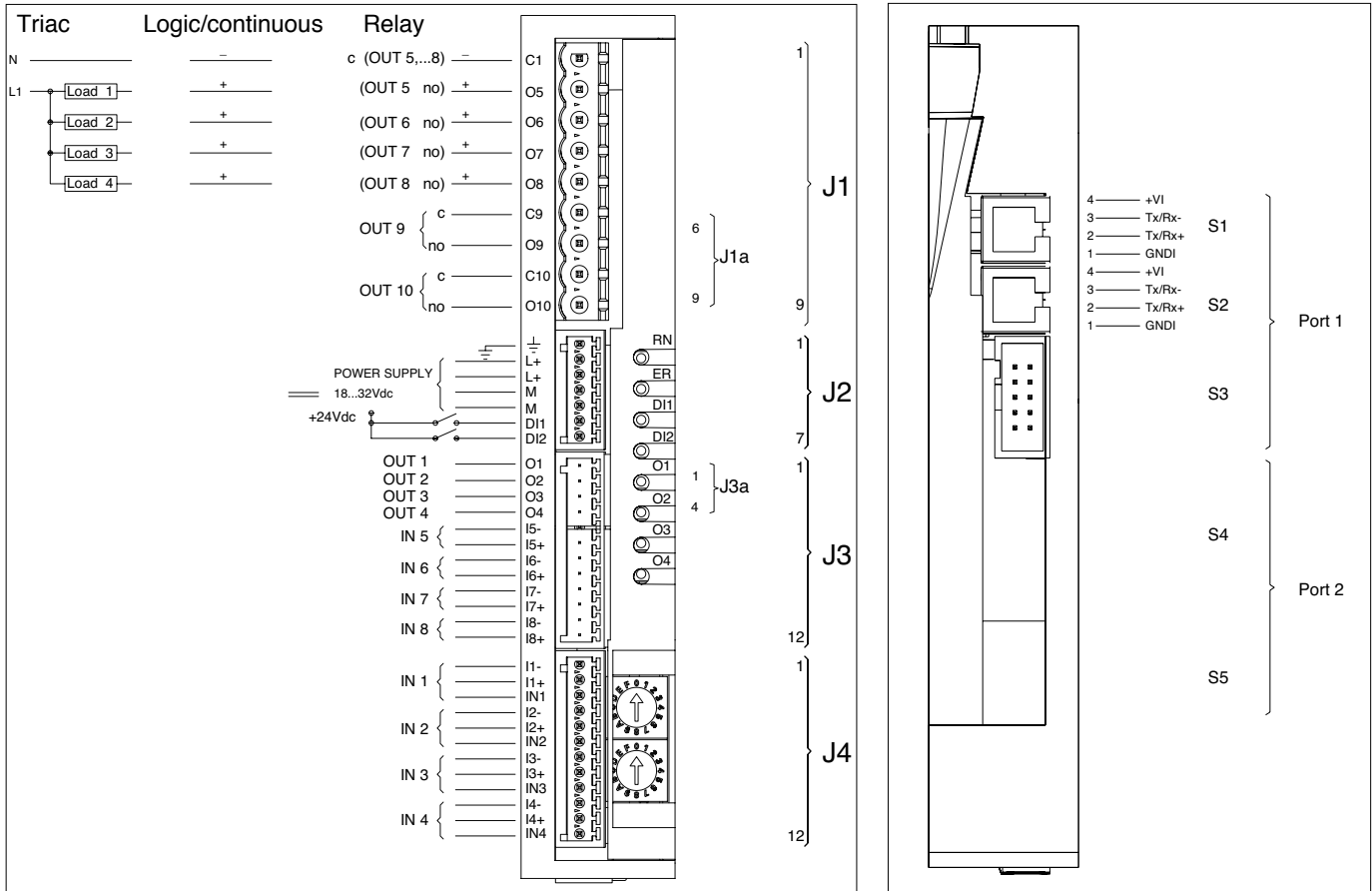
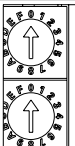



Table 5 Description of LEDs

Led	Description	color
RN	Run - flashing during regular operation	(green)
ER	Fault state: lights up when fault is present Lo = process variable value < di Lo.S Hi = process variable value > di Hi.S Sbr = probe interrupted or input values over maximum limits Err = third wire interrupted for Pt100 or input values below minimum ER = (red) flashing: Alarm temperature OVER_HEAT (STATUS.STRUMENTO 4 bit 1)	(red)
DI1	State of digital input 1	(yellow)
DI2	State of digital input 2	(yellow)
O1	State of output Out1	(yellow)
O2	State of output Out2	(yellow)
O3	State of output Out3	(yellow)
O4	State of output Out4	(yellow)

Table 6 Description of Rotary Switches

Switch	Description
 x10  x1	Defines address of module 00...99 (in case of function mode equivalent to four Geflex units, this address is assigned to the first of the four) Hexadecimal combinations are reserved.

If auxiliary outputs (O5...O8), are present, connector J1a becomes J1.

Figure 15 Connector J1

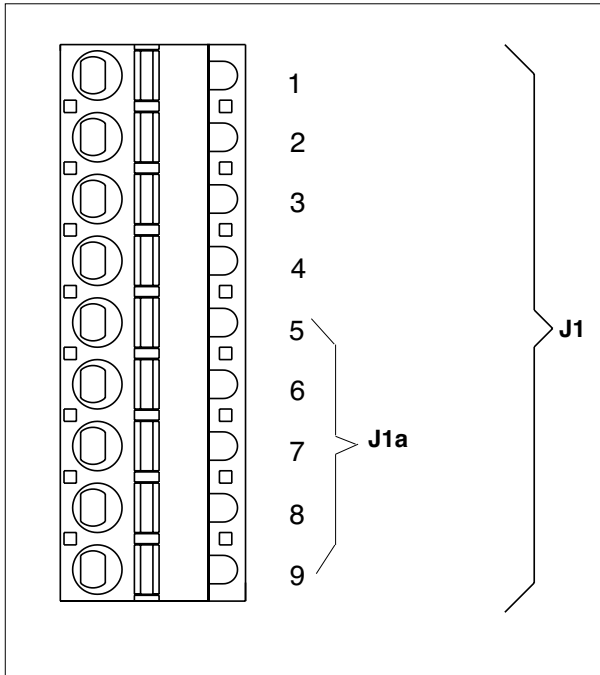


Table 7

	0,2 - 2,5mm ²	24-14AWG
	0,25 - 2,5mm ²	23-14AWG

Outputs 5...8 logic/continuous type

Logic outputs 18...36Vdc, max 20mA

Continuous outputs: voltage (default) 0/2...10V, max 25mA
current 0/4...20mA, max 500Ω

Figure 16 Connection scheme for logic/continuous outputs

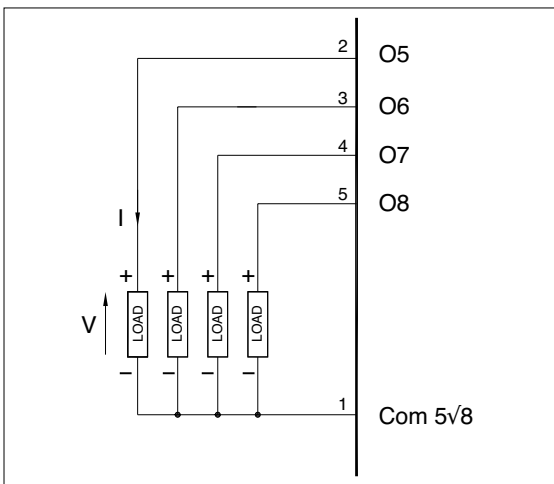
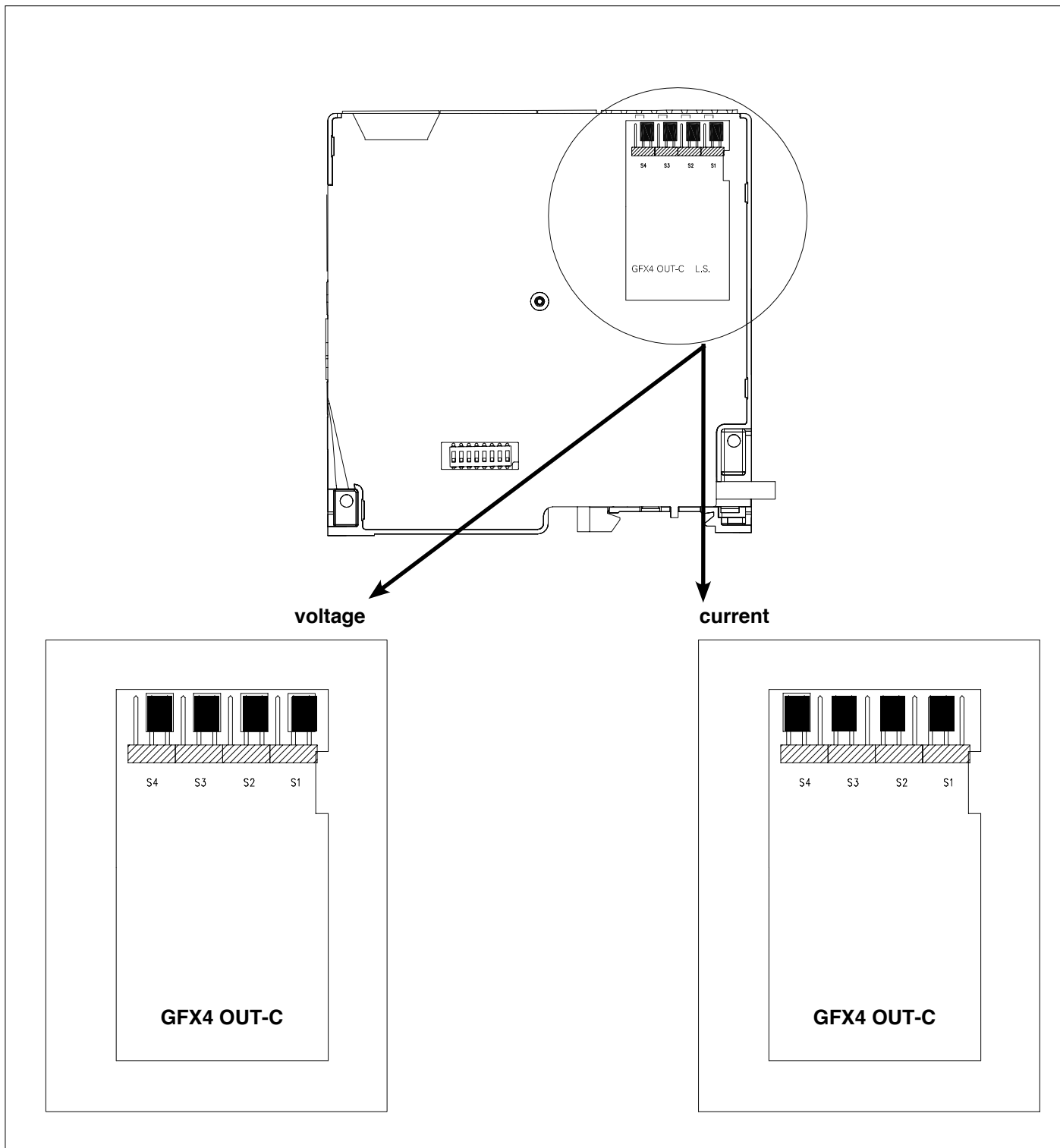


Table 8

PIN	Name	Description	
		Logic	Continuous
1	Com 5-8	Outputs common	(-)
2	O5	Output 5	(+)
3	O6	Output 6	(+)
4	O7	Output 7	(+)
5	O8	Output 8	(+)

Where use of the type "C" output continues, voltage or current setting is carried out using jumpers present on the board as in the following Figure 17

Figure 17 Connection for logic/continuous outputs



Outputs 5...8 triac type

Triac outputs Vac = 24...230Vac, max 1A

Figure 18 Connection scheme for triac outputs

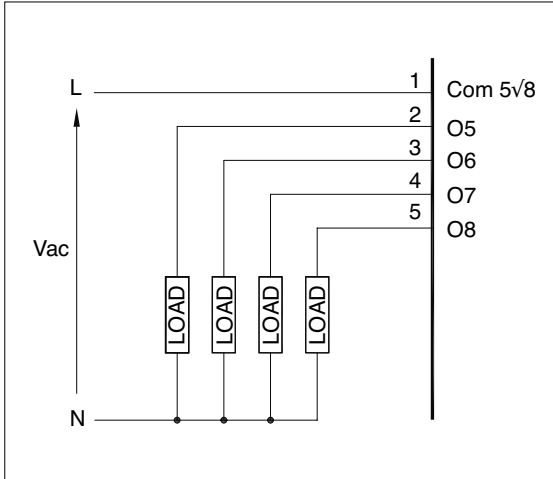


Table 9

PIN	Name	Description
1	Com 5-8	Outputs common
2	O5	Output 5
3	O6	Output 6
4	O7	Output 7
5	O8	Output 8

Outputs 5...8 relay type

Outputs Out 5...8 relay Ir = 3A max, NO

V = 250V/30Vdc cosφ = 1; I = 12A max

Figure 19 Connection scheme for relay outputs

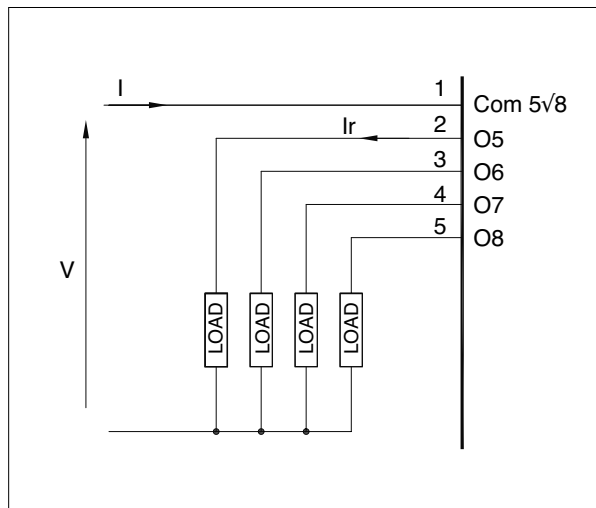


Table 10

PIN	Name	Description
1	Com 5-8	Outputs common
2	O5	Output 5
3	O6	Output 6
4	O7	Output 7
5	O8	Output 8

Outputs 9, 10 relay type

Outputs Out 9, 10 relay 5A max,

V = 250V/30Vdc cosφ = 1; I = 5A max

Figure 20 Connection scheme for relay outputs

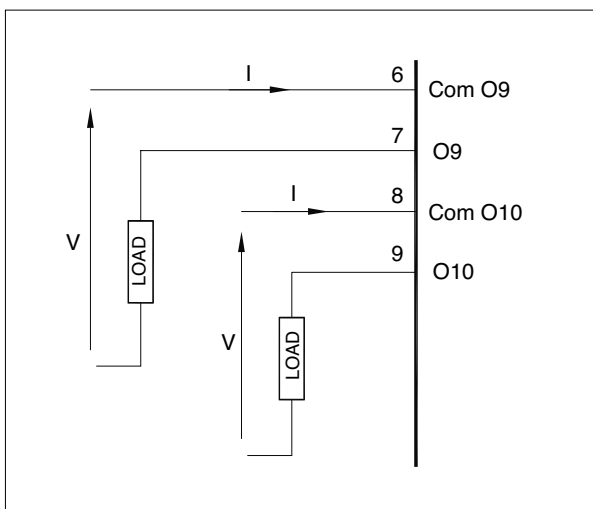


Table 11

PIN	Name	Description
1	Com O9	Output common O9
2	O9	Output O9
3	Com O10	Output common O10
4	O10	Output O10

Figure 21

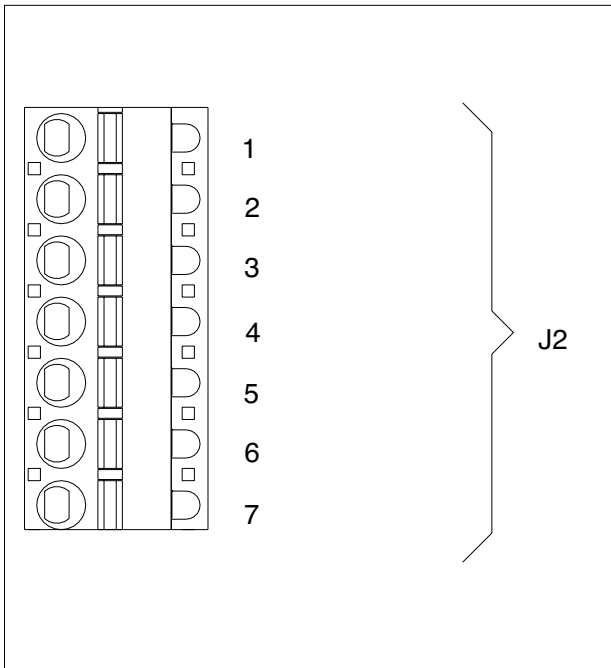


Table 12




	0,14 - 0,5mm ²	28-20AWG
		
	0,25 - 0,5mm ²	23-20AWG

Figure 22 Connection scheme for digital inputs and power supply

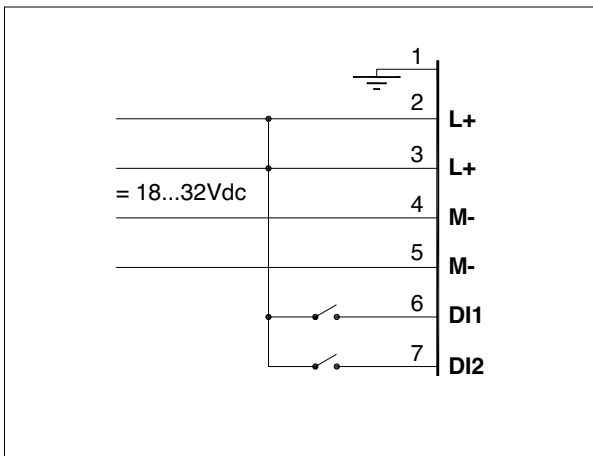


Table 13


PIN	Name	Description
1		Ground
2	L+	Power supply 18...32Vdc
3	L+	
4	M-	
5	M-	
6	DI1	
7	DI2	Digital input 2

Figure 23

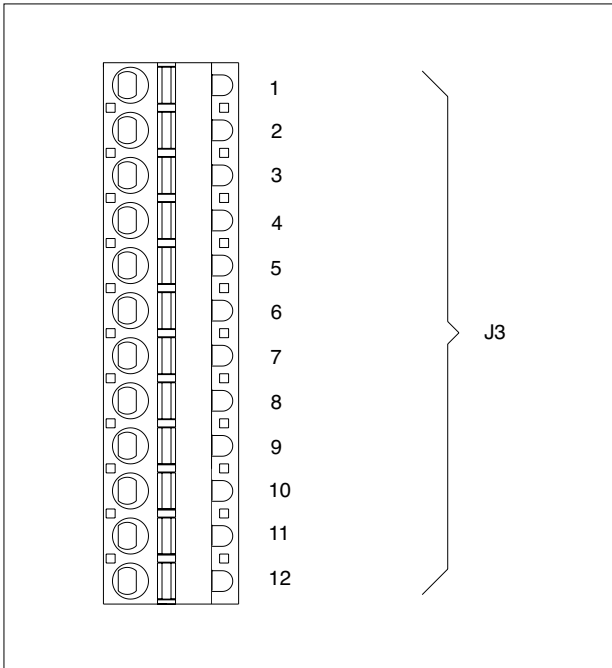


Table 14




	0,14 - 0,5mm ²	28-20AWG
		
	0,25 - 0,5mm ²	23-20AWG

Figure 24 Connection scheme for 60mV/TC auxiliary linear inputs

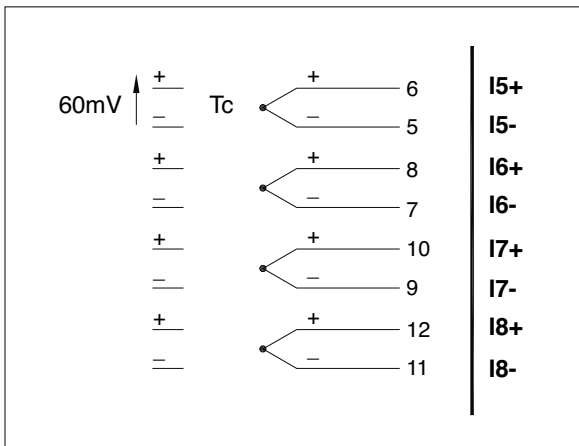


Table 15

PIN	Name	Description
1	-	nc
2	-	nc
3	-	nc
4	-	nc
5	I5-	Auxiliary input 5
6	I5+	
7	I6-	Auxiliary input 6
8	I6+	
9	I7-	Auxiliary input 7
10	I7+	
11	I8-	Auxiliary input 8
12	I8+	

Figure 25

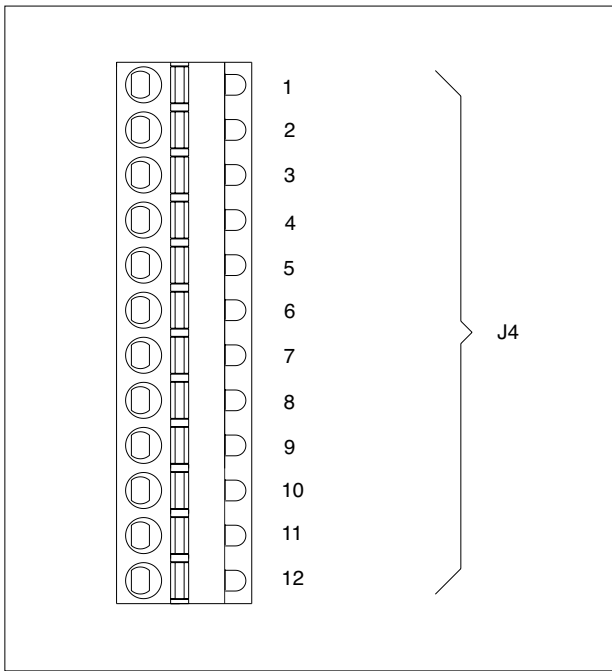


Table 16




	0,14 - 0,5mm ²	28-20AWG
		
	0,25 - 0,5mm ²	23-20AWG

Figure 26 Connection scheme for 60mV TC/linear input

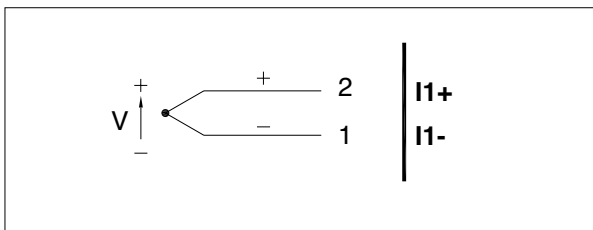


Table 17

PIN	60mV/Tc linear input	1V/20mA linear input	Pt100 input
1	I1-	I1-	I1-
2	I1+		I1+
3		IN1+	IN1
4	I2-	I2-	I2-
5	I2+		I2+
6		IN2+	IN2
7	I3-	I3-	I3-
8	I3+		I3+
9		IN3+	IN3
10	I4-	I4-	I4-
11	I4+		I4+
12		IN4+	IN4

Figure 27 Connection scheme for Pt100 input

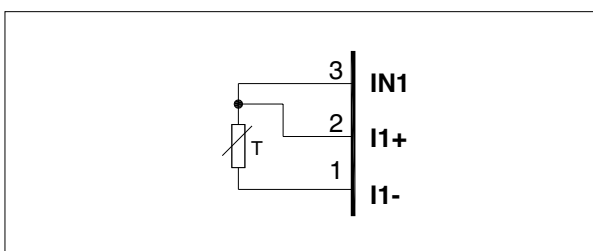


Figure 28 Connection scheme for 1V/20mA linear input

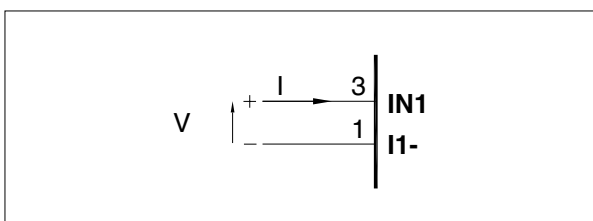


Figure 29

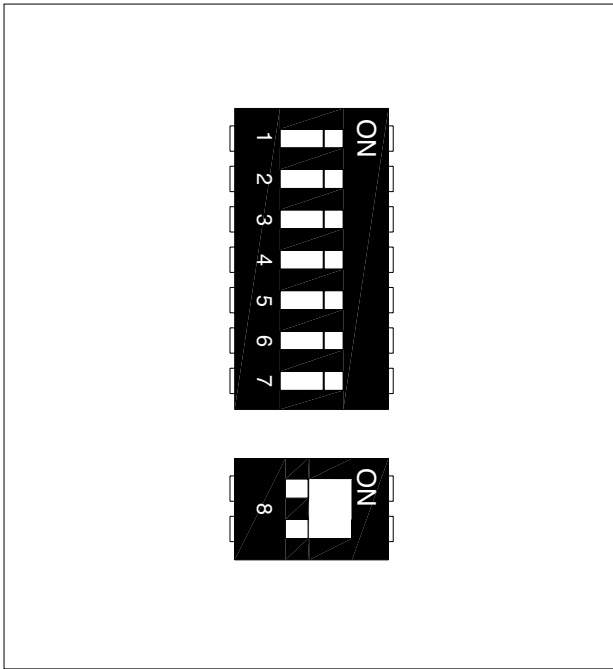


Table 18

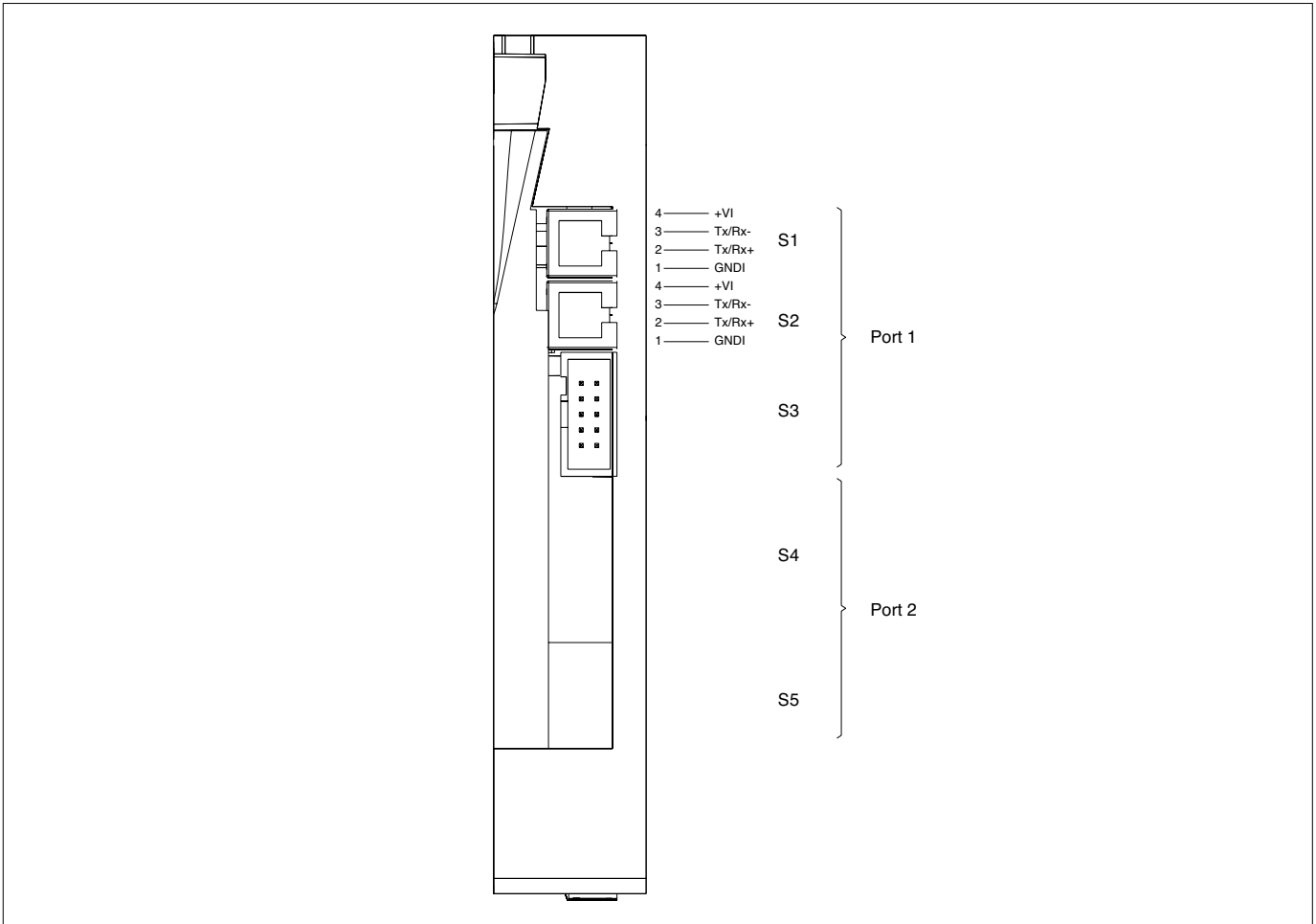
dip-switches	Description
1	Connection type: (see Table 19)
2	Connection type: (see Table 19)
3	Connection type: (see Table 19)
4	
5	= ON 60Hz (OFF 50Hz)
6	= ON reset factory configuration
7	= ON Geflex simulation function
8	= ON insert line termination for Port1 / RS485

Table 19

1	2	3	Connection type
OFF	OFF	OFF	4 independent zones / 4 loads single-phase
ON	OFF	OFF	zone 1 with 3-phase load star with neutral
OFF	ON	OFF	zone 1 with 3-phase load open triangle
ON	ON	OFF	zone 1, 3 with double 3-phase load star without neutral
OFF	OFF	ON	zone 1, 3 with double 3-phase load closed triangle
ON	OFF	ON	-
OFF	ON	ON	-
ON	ON	ON	-

Port1 (local bus): Modbus serial interface – connectors S1, S2, S3

Figure 30



Connector S3 to connection at GFX-OP terminal or to Geflex slave modules (GFX-S1, GFX-S2)

Table 20

Connector S1/S2 RJ10 4-4 pin	Nr. Pin	Name	Description	Note
	1	GND1 (**)	-	(*) Insert the RS485 line termination in the last device on the Modbus line, see dip-switches. (**) Connect the GND signal among Modbus devices with a line distance > 100 m.
	2	Tx/Rx+	Data reception/transmission (A+)	
	3	Tx/Rx-	Data reception/transmission (B-)	
	4	+V (reserved)	-	
Cable type: flat telephone cable for pin 4-4 conductor 28AWG				

Port2 (fieldbus): connectors S4, S5 Modbus RTU / Ethernet Modbus TCP

Figure 31 Port2: Modbus RTU / Ethernet Modbus TCP interface

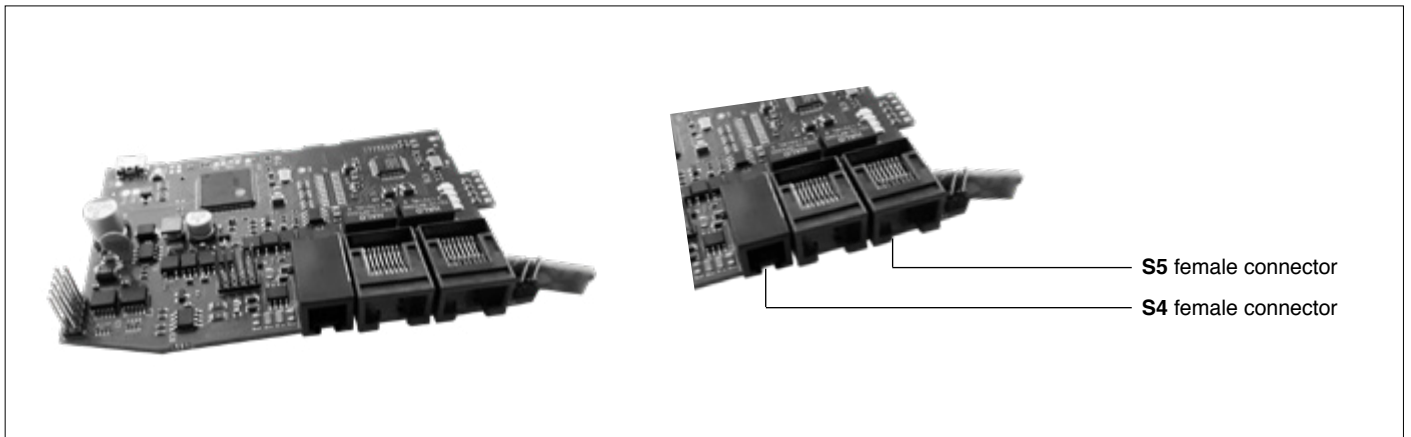


Table 21

Connector S4 RJ10 4-4 pin	Nr. Pin	Name	Description	Note
	1	GND1 (**)	-	(**) Connect the GND signal between Modbus devices with a line distance > 100 m.
	2	Rx/Tx+	Data reception/transmission (A+)	
	3	Rx/Tx-	Data reception/transmission (B-)	
	4	+V (reserved)	-	
Cable type: flat telephone cable for pin 4-4 conductor 28AWG				

Table 22

Connector S5 RJ45	Nr. Pin	Name	Description	Note
	1	TX+	Data + transmission	
	2	TX-	Data - transmission	
	3	RX+	Data + reception	
	4	n.c.		
	5	n.c.		
	6	RX-	Data - reception	
	7	n.c.		
	8	n.c.		
Cable type: Use standard category 6 cable according to TIA/EIA-568A				

Port2 (fieldbus): connectors S4, S5 MODBUS RTU/Profibus DP

Figure 32 Port2: Fieldbus Modbus RTU/Profibus DP Interface

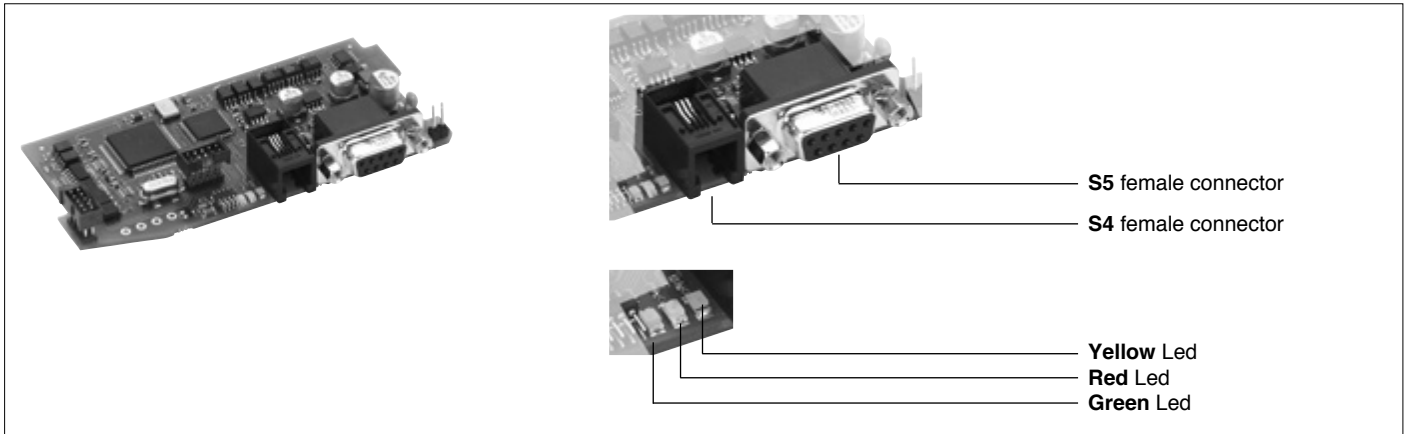


Table 23

Connector S4 RJ10 4-4 pin	Nr. Pin	Name	Description	Note
	1	GND1 (**)	-	(**) Connect the GND signal among Modbus devices with a line distance > 100 m.
	2	Rx/Tx+	Data reception/transmission (A+)	
	3	Rx/Tx-	Data reception/transmission (B-)	
	4	+V (reserved)	-	
Cable type: flat telephone cable for fin 4-4 conductor 28AWG				

Table 24

Connector S5 D-SUB 9 pins male	Nr. Pin	Name	Description	Note
	1	SHIELD	EMC protection	Connect the terminal resistances as shown in the figure.
	2	M24V	Output voltage - 24V	
	3	RxD/TxD-P	Data reception/transmission	
	4	n.c.	n.c.	
	5	DGND	Massa di Vp	
	6	VP	Positive power supply +5V	
	7	P24V	Output voltage +24V	
	8	RxD/TxD-N	Data reception/transmission	
	9	n.c.	n.c.	
Cable type: Shielded 1 pair 22AWG conforming to PROFIBUS.				

Port2 (fieldbus): connectors S4, S5 MODBUS RTU/CANopen

Figure 33 Port2: Fieldbus Modbus RTU/CANOpen Interface

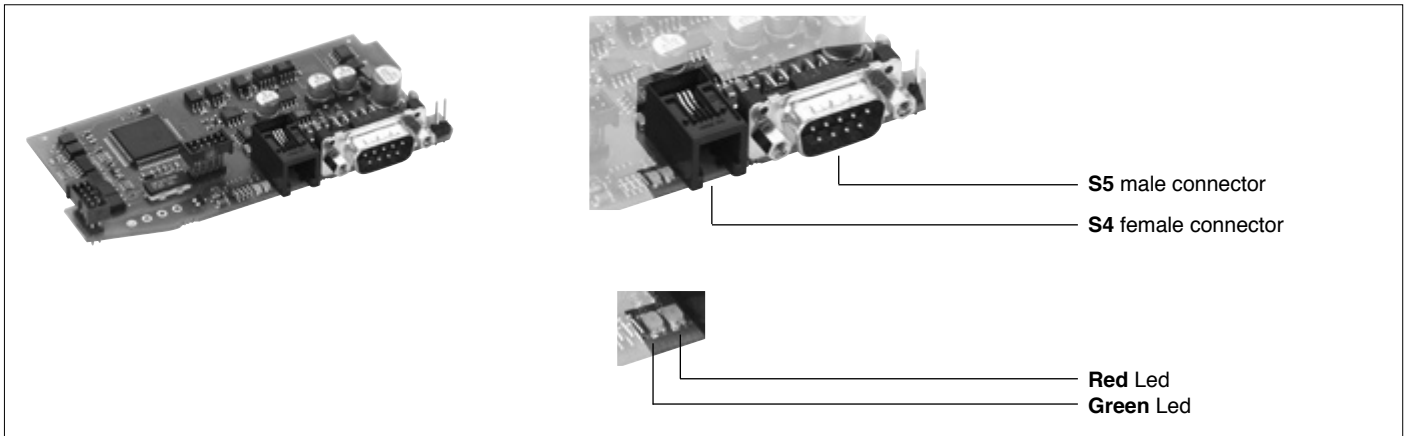


Table 25

Connector S4 RJ10 4-4 pin	Nr. Pin	Name	Description	Note
	1	GND1 (**)	-	(**) Connect the GND signal among Modbus devices with a line distance > 100 m.
	2	Rx/Tx+	Data reception/transmission (A+)	
	3	Rx/Tx-	Data reception/transmission (B-)	
	4	+V (reserved)	-	
Cable type: flat telephone cable for fin 4-4 conductor 28AWG				

Table 26

Connector S5 D-SUB 9 pins female	Nr. Pin	Name	Description	Note
	1	-	Reserved	Connect the terminal resistances as shown in the figure.
	2	CAN_L	CAN_L bus line (domination low)	
	3	CAN_GND	CAN Ground	
	4	-	Reserved	
	5	(CAN_SHLD)	Optional CAN Shield	
	6	(GND)	Optional Ground	
	7	CAN_H	CAN_H bus line (domination high)	
	8	-	Reserved	
	9	(CAN_V+)	Optional CAN external positive supply (dedicated for supply of transceiver and optocouplers, if galvanic isolation of the bus node applies)	
Cable type: Shielded 2 pairs 22/24AWG conforming to CANopen.				

Port2 (fieldbus): connectors S4, S5 MODBUS RTU/DeviceNet

Figure 34 Port2: Fieldbus Modbus RTU/DeviceNet Interface

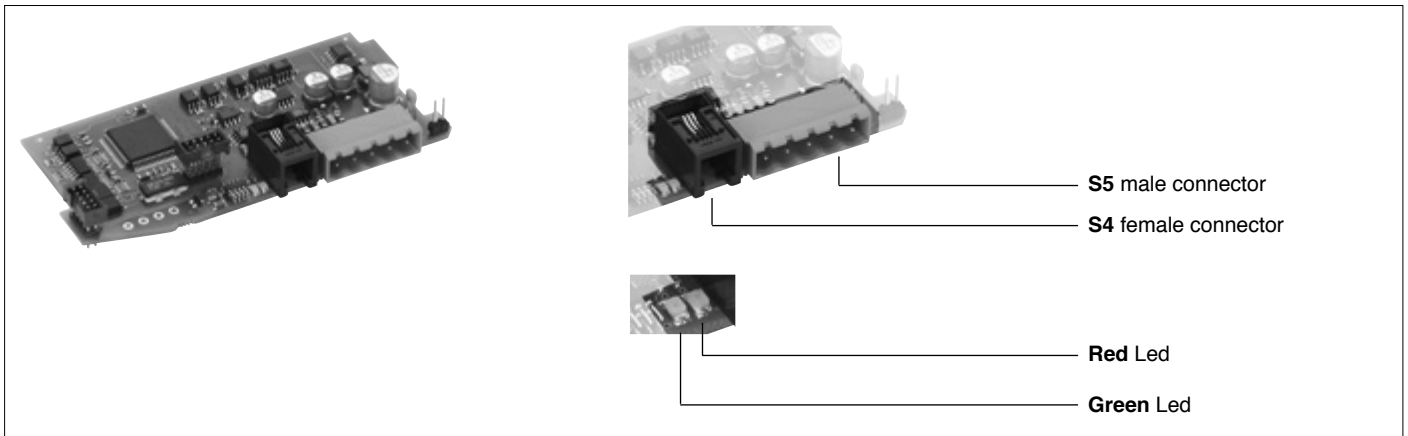


Table 27

Connector S4 RJ10 4-4 pin	Nr. Pin	Name	Description	Note
	1	GND1 (**)	-	(**) Connect the GND signal among Modbus devices with a line distance > 100 m.
	2	Rx/Tx+	Data reception/transmission (A+)	
	3	Rx/Tx-	Data reception/transmission (B-)	
	4	+V (reserved)	-	
Cable type: flat telephone cable for fin 4-4 conductor 28AWG				

Table 28

Connector S5 MC-1,5/5 - ST1-5,08 5 pole female	Nr. Pin	Name	Description	Note
	1	V-	Negative power supply	Connect a 120Ω / 1/4W resistance between the "CAN_L" and "CAN_H" signals at each end of the DeviceNet network.
	2	CAN_L	Low signal	
	3	SHIELD	Shield	
	4	CAN_H	high signal	
	5	V+	Positive power supply	
Cable type: Shielded 2 pairs 22/24AWG conforming to DeviceNet.				

Port2 (fieldbus): connectors S4, S5 Modbus RTU / Ethernet Modbus TCP

Figure 35 Port2: Modbus RTU / Ethernet Modbus TCP Interface

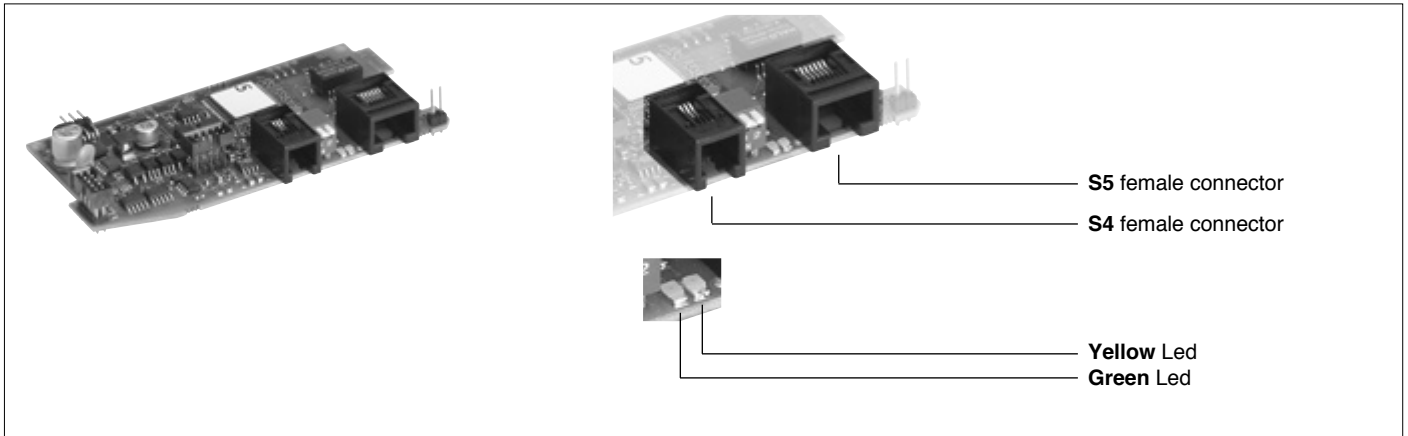


Table 29

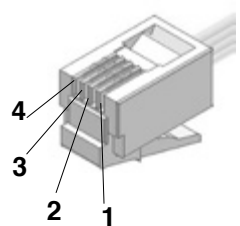
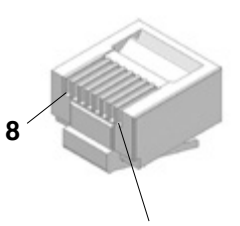
Connector S4 RJ10 4-4 pin	Nr. Pin	Name	Description	Note
	1	GND1 (**)	-	(**) Connect the GND signal among Modbus devices with a line distance > 100 m.
	2	Rx/Tx+	Data reception/transmission (A+)	
	3	Rx/Tx-	Data reception/transmission (B-)	
	4	+V (riservato)	-	
Cable type: flat telephone cable for pin 4-4 conductor 28AWG				

Table 30

Connector S5 RJ45	Nr. Pin	Name	Description	Note
	1	TX+	Data + transmission	
	2	TX-	Data - transmission	
	3	RX+	Data + reception	
	4	n.c.		
	5	n.c.		
	6	RX-	Data - reception	
	7	n.c.		
	8	n.c.		
Cable type: Use standard category 6 cable according to TIA/EIA-568A				

Port2 (fieldbus): connectors S4, S5 Modbus RTU/ Ethernet IP or Modbus RTU / EtherCAT or Modbus RTU / ProfiNET

Figure 36 Port2: Modbus RTU / Ethernet IP or Modbus RTU/EtherCAT or Modbus RTU / ProfiNET Interfaces



H4 and H6 LEDs are visible on the front side

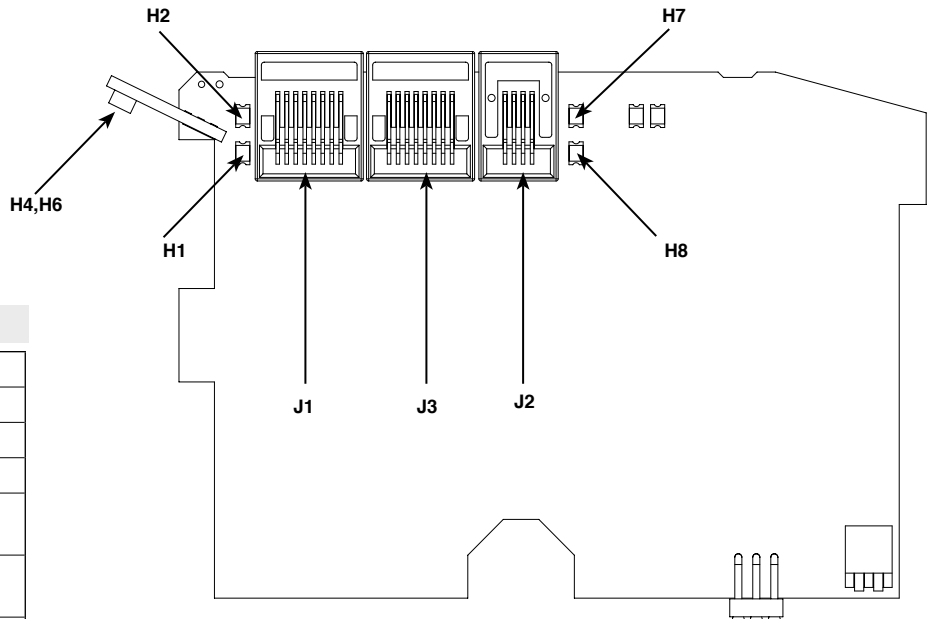
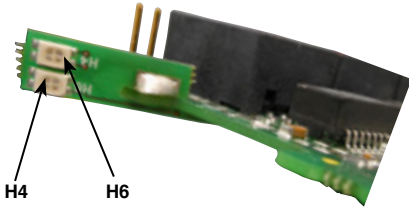


Table 31

LED Ethernet IP		
H1	Led GREEN module state	
H2	Led RED module state	
H7	Led RED network state	
H8	Led GREEN network state	
H4	Led bicolor GREEN (H1) RED (H2)	
H6	Led bicolor GREEN (H8) RED (H7)	
J1	Connector	Port ETH0
J3	Connector	Port ETH1
J2	Connector	Serial Modbus

LED EtherCAT		
H1	Led GREEN link/activity	Port ETH0
H2	Led RED run	Run
H7	Led RED run	Run
H8	Led GREEN link/activity	Port ETH1
H4	Led bicolor GREEN (H1) RED (H2)	Port ETH0
H6	Led bicolor GREEN (H8) RED (H7)	Port ETH1
J1	Connector	Port ETH0 (IN)
J3	Connector	Port ETH1 (OUT)
J2	Connector	Serial Modbus

LED ProfiNET		
H1	Led GREEN LINK	Port ETH0
H2	Led RED signal	Port ETH0
H7	Led RED activity	Port ETH1
H8	Led GREEN LINK	Port ETH1
H4	Led bicolor GREEN (H1) RED (H2)	Port ETH
H6	Led bicolor GREEN (H8) RED (H7)	Port ETH
J1	Connector	Port ETH0
J3	Connector	Port ETH1
J2	Connector	Serial Modbus

Table 32

Connector J2 RJ10 4-4 pin				
	N°Pin	Name	Description	Note
	1	GND1 (**)	-	(**) It is advisable to also connect the GND signal between Modbus devices with a line distance > 100 m
	2	Rx/Tx+	Data reception/transmission (A)	
	3	Rx/Tx-	Data reception/transmission (B)	
	4	+V (reserved)	-	

Cable type: flat telephonic for 4-4 pin 28AWG conductor

Table 33

Connector J1 and J3 RJ45				
	N°Pin	Name	Description	Note
	1	TX+	Data transmission +	
	2	TX-	Data transmission -	
	3	RX+	Data reception +	
	4	n.c.		
	5	n.c.		
	6	RX-	Data reception -	
	7	n.c.		
	8	n.c.		

Cable type: use standard category 5 cable according to TIA/EIA-568B

Integration of GFX4 with GEFLEX modules connected in RS485 Modbus

Figure 37

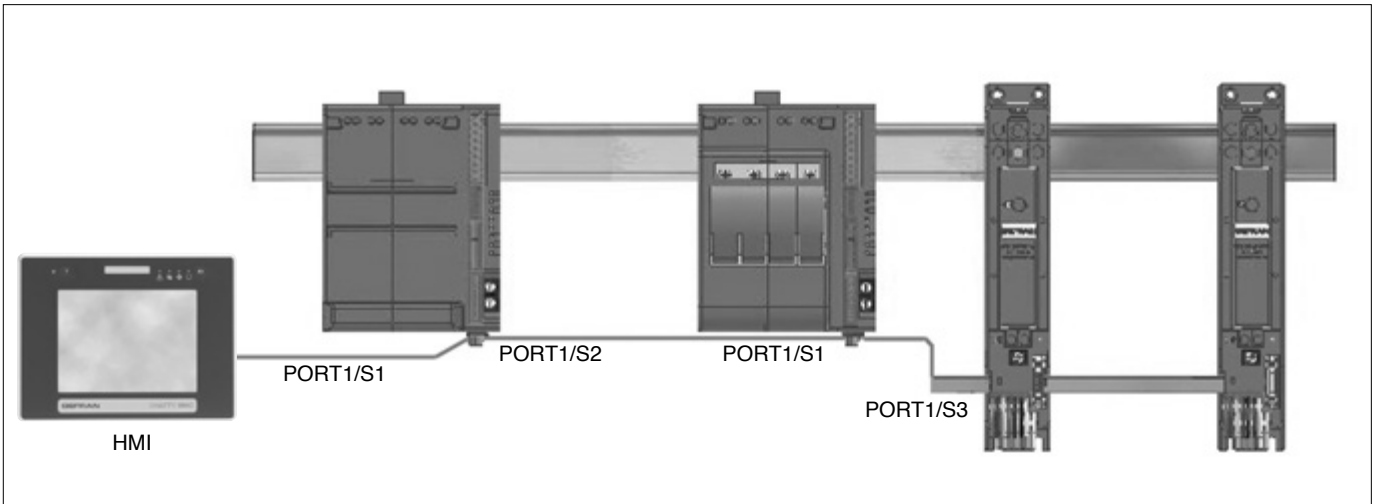


Figure 38

Supervision from PC/PLC simultaneous with GFXOP configuration terminal (each module must have a fieldbus interface)

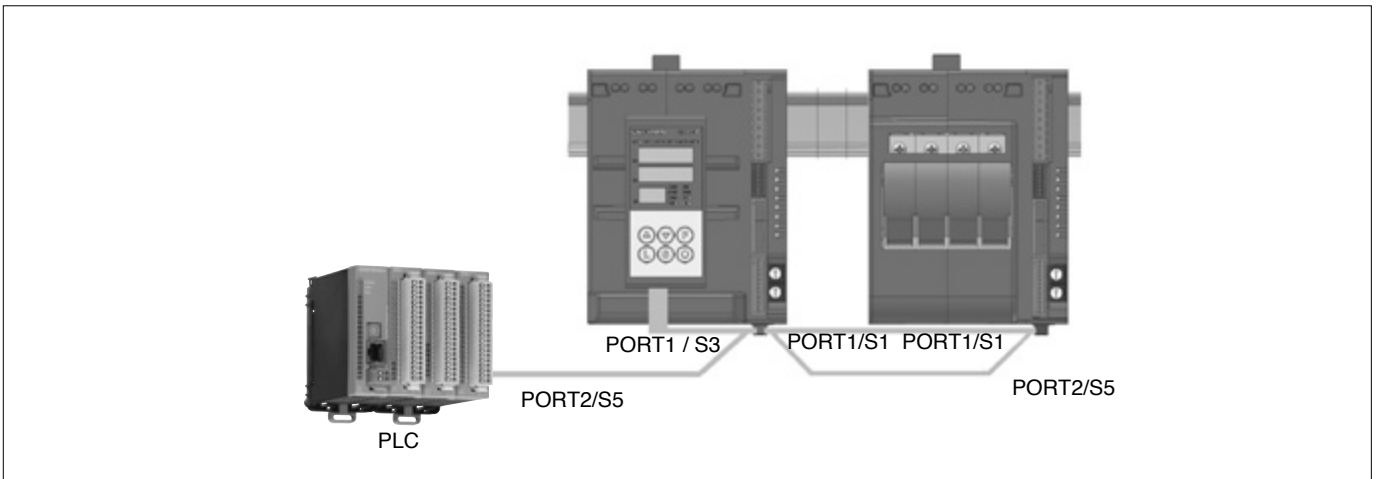


Figure 39

Supervision from PC/PLC via a single module equipped with fieldbus interface

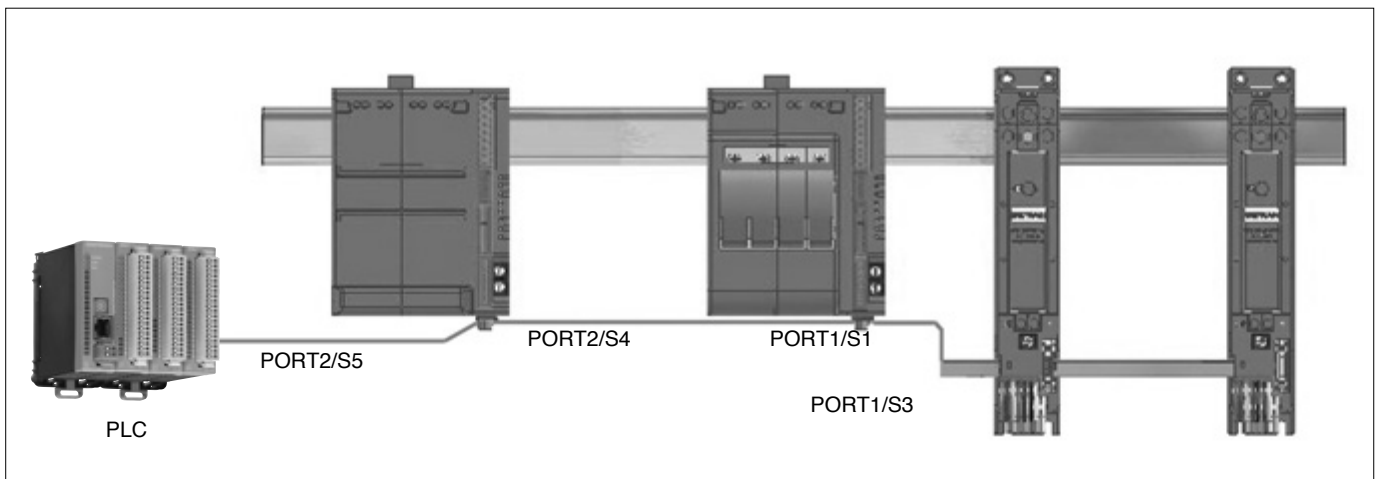


Figure 40

Connection example for 4 single-phase loads

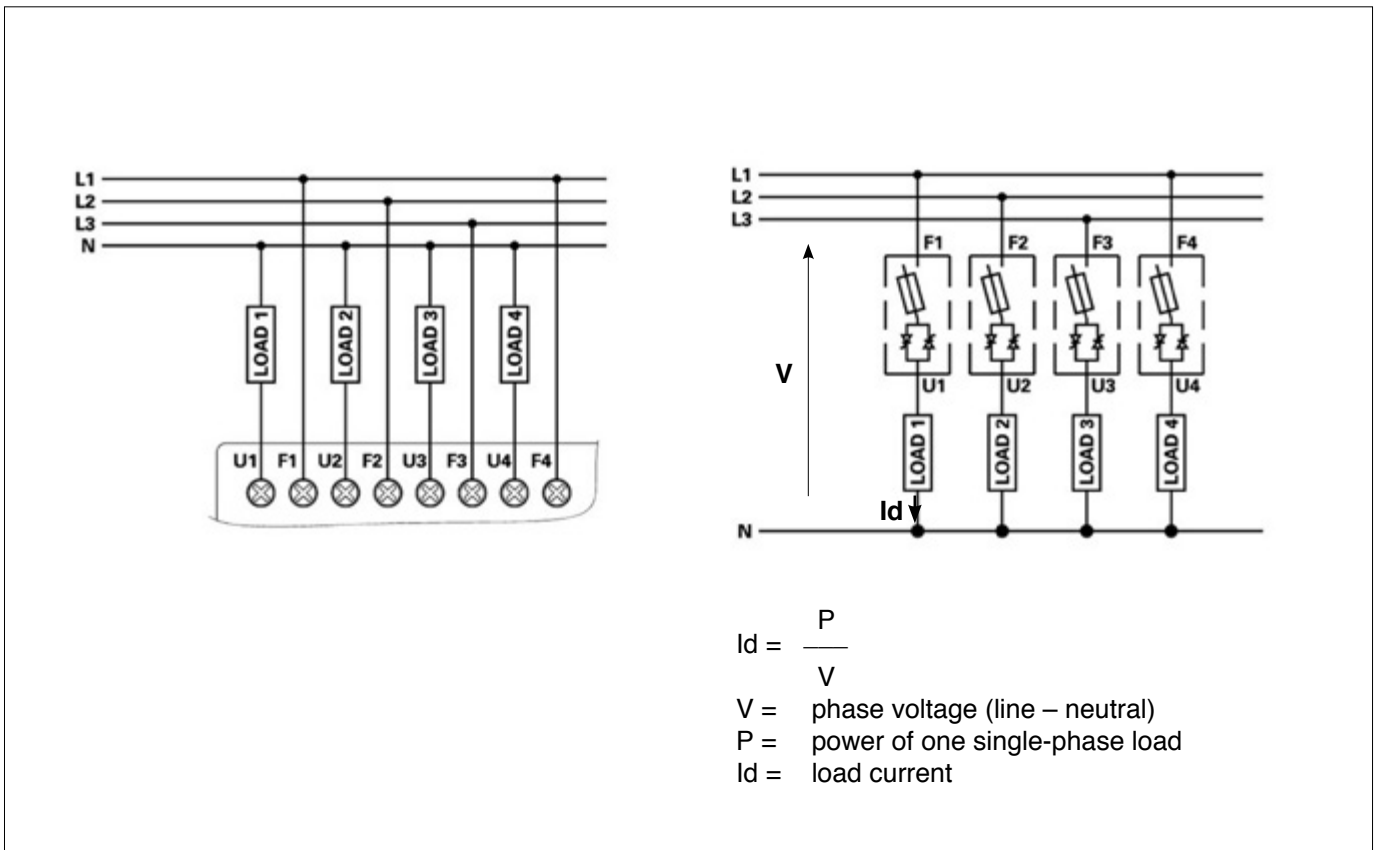


Figure 41

Connection example for one 3-phase load, star with neutral + 1 single-phase load only for models: GFX4-x-x-2-x / GFX4-x-x-4-x can be equipped for diagnostics and/or load current values.

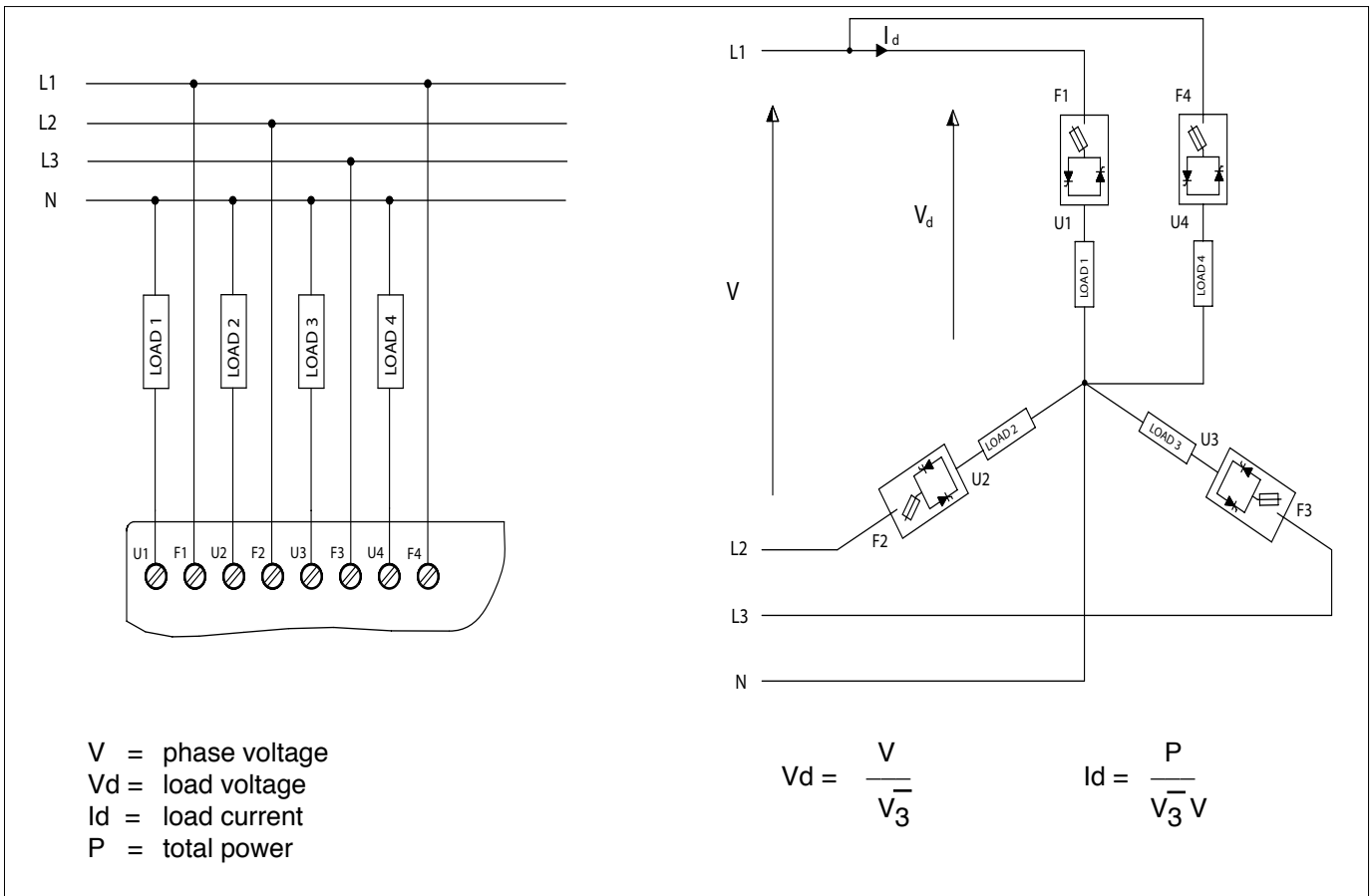


Figure 42

Connection example for one 3-phase load, open triangle

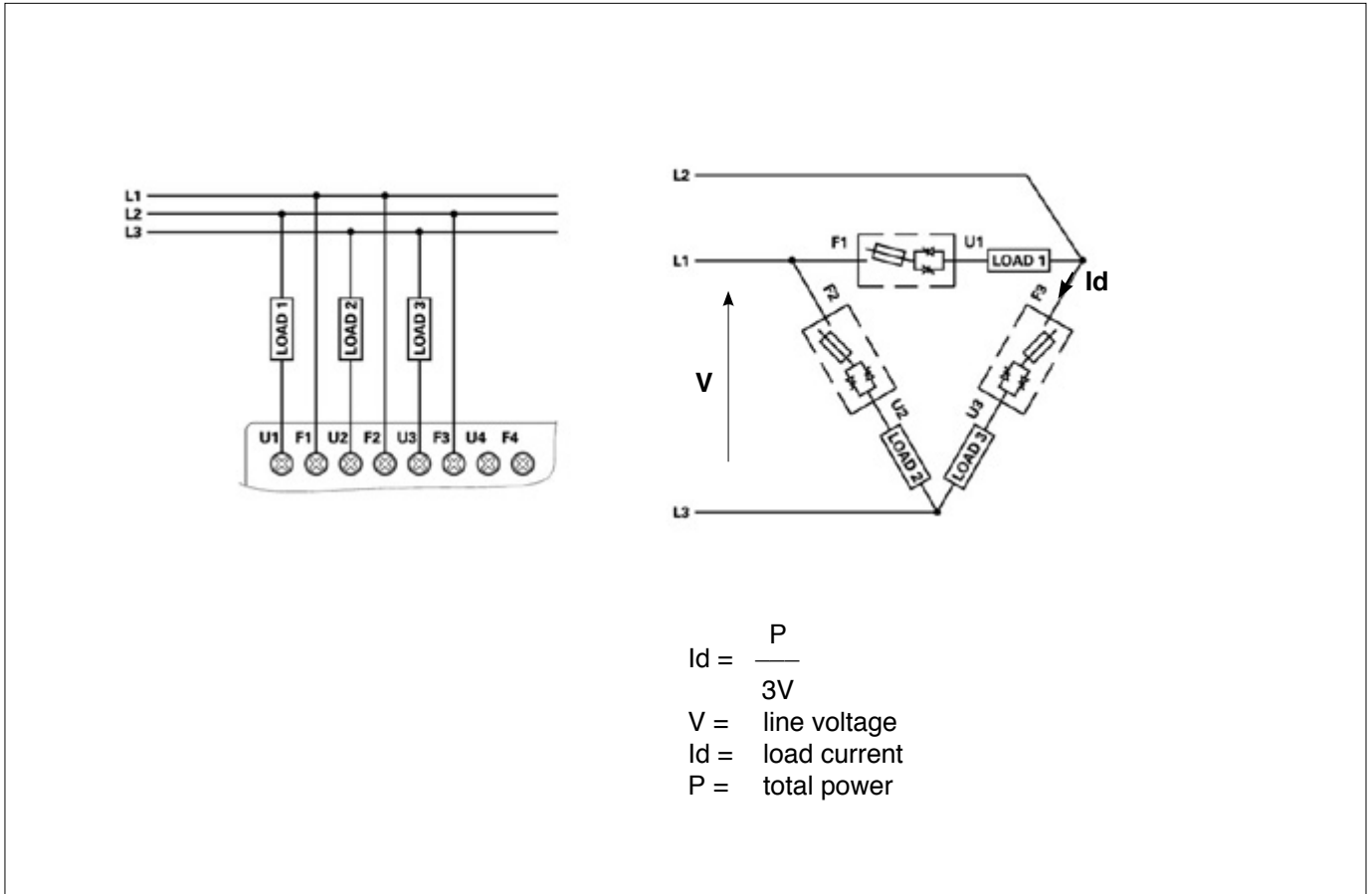


Figure 43

Connection example with 4 single-phase loads, 3-phase line without neutral

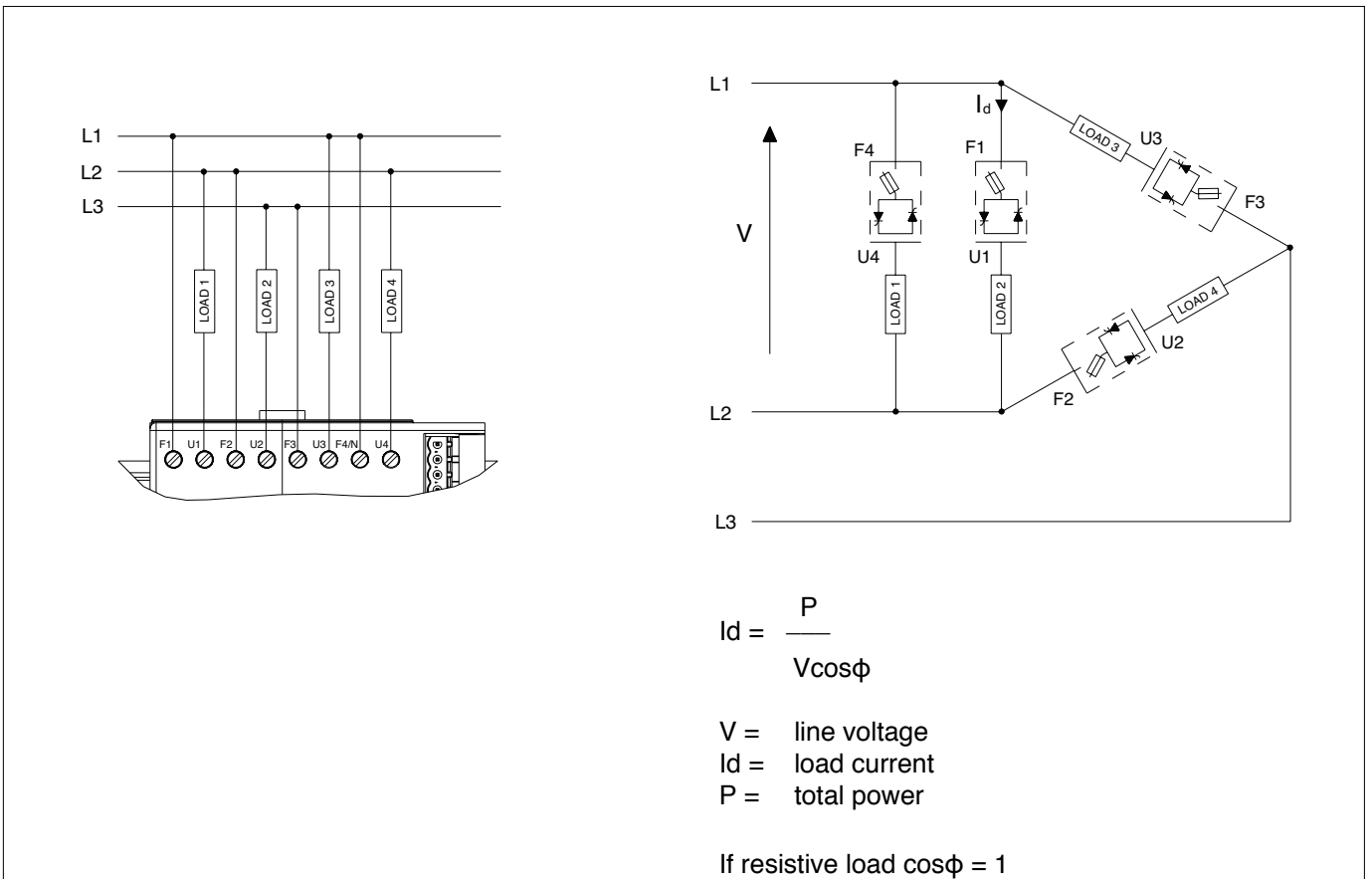


Figure 44

Connection example for two 3-phase loads, star without neutral

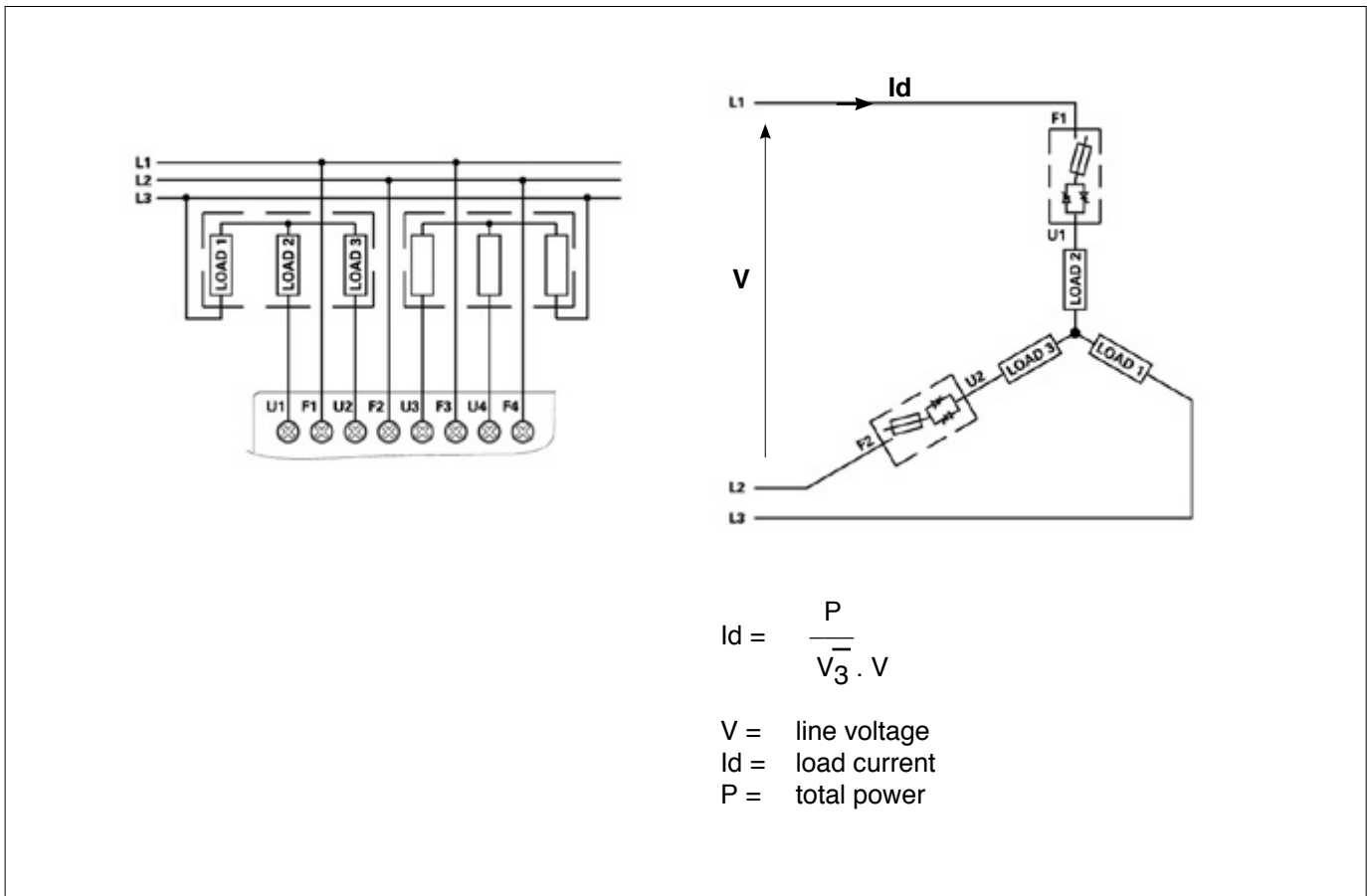
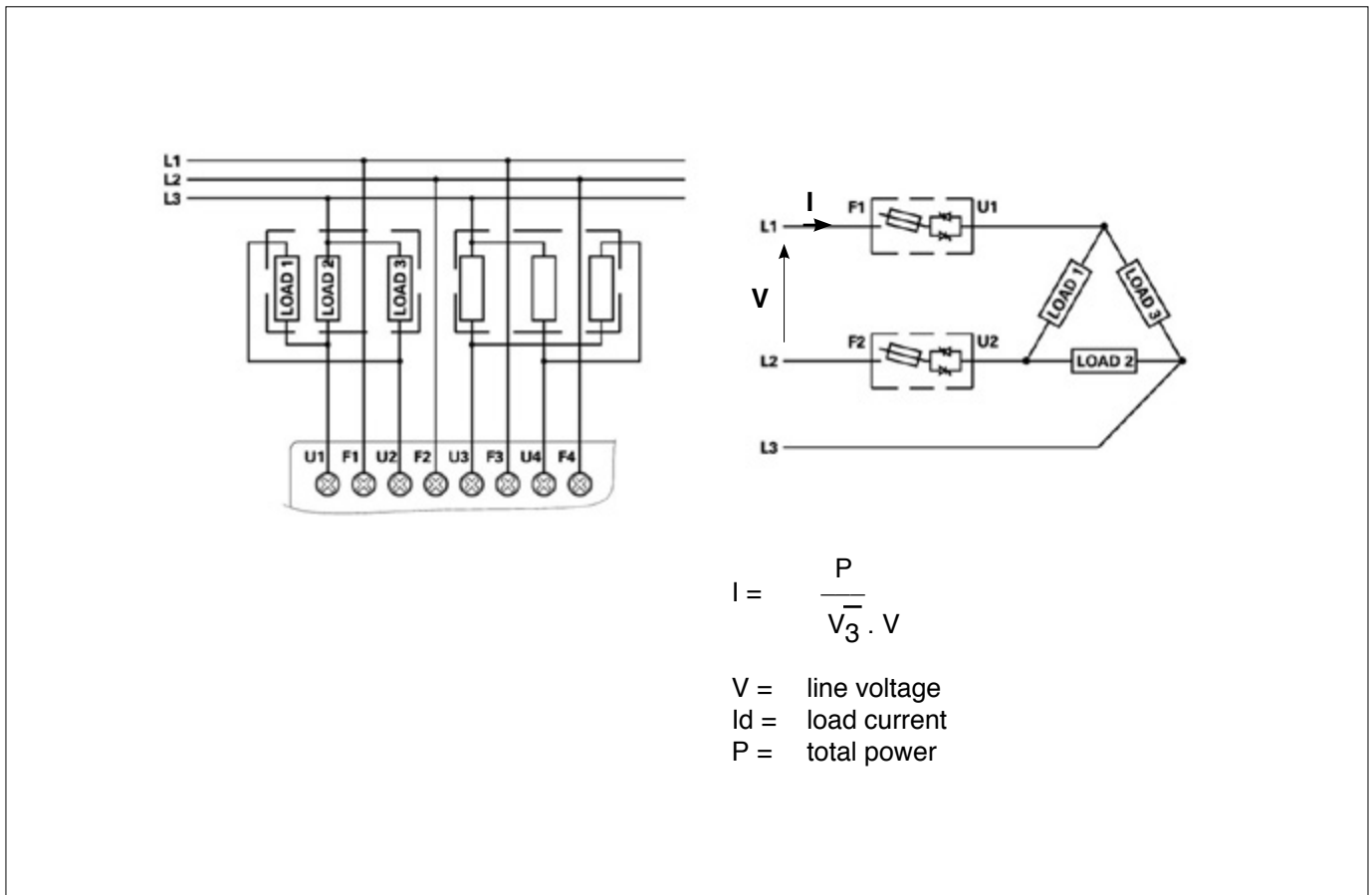


Figure 45

Connection example for two 3-phase loads, closed triangle



4 · INSTALLATION OF “MODBUS” SERIAL NETWORK

A network typically has a Master that “manages” communication by means of “commands,” and Slaves that carry out these commands.

GFX4 modules are considered Slaves to the network master, which is usually a supervision terminal or a PLC.

They are positively identified by means of a node address (ID) set on rotary switches (tens + units).

A maximum of 99 GFX4 modules can be installed in a serial network, with node address selectable from “01” to “99” in standard mode or can also create a network with GFX4 and Geflex mixed in Geflex compatible mode, in which each GFX4 identifies 4 zones with sequential node address starting with the code set on the rotary switches.

GFX4 modules have a ModBus serial (Serial 1) and, optionally (see order code) a Fieldbus serial (Serial 2) with one of the following protocols: Modbus RTU, Profibus DP, CANopen, DeviceNet e Ethernet Modbus TCP.

The MODBUS RTU port 1 has the following factory settings (default):

Parameter	Default	Range
ID	1	1...99
BaudRate	19,2Kbit/s	1,2...57,6kbit/s
Parity	None	parity/odd parity/none
StopBits	1	-
DataBits	8	-

The following procedures are indispensable for the Modbus protocol. For the other protocols, see the specific Geflex manuals. The use of rotary switches (A...F) letters is for particular procedures described in the following paragraphs.

Here are the tables showing them:

Procedure	Positions of rotary switches		Description
	Tens	Units	
AutoBaud	0	0	It enables to set the correct BaudRate value
*AutoNode	A	0	It enables to transfer the correct node (ID) address (tens) to eventual GEFLEX S1/S2



Note: the AutoNode procedure is also required for Profibus DP, CANOpen, DeviceNet, Ethernet Modbus/TCP protocols. Check its correct address in the specific manuals in question

4.2 "AUTOBAUD SERIAL 1" SEQUENCE

Function

Adapt the serial communication speed and parity of the GFX4 modules to the connected supervision terminal or PLC.



Green LED L1 "STATUS" mentioned in the procedure can vary its behavior based on parameter Ld.1, which is set to a default value of 16.

Procedure

- 1) Connect the serial cables for all modules on the network to serial 1 and to the supervision terminal.
- 2) Set the rotary switch on the GFX4 modules to be installed, or on all modules present in case of first installation, to position "0+0".
- 3) Check that the green "STATUS" LEDs flash at high frequency (10Hz).
- 4) The supervision terminal must transmit a series of generic "MODBUS" read messages to the network.
- 5) The procedure is over when all of the green L1 "STATUS" LEDs on the Geflex modules flash at a normal frequency (2Hz) (if parameter 197 Ld.1 = 16 as default).

The new speed parameter is saved permanently in each GFX4; therefore, the "AUTOBAUD SERIAL 1" sequence does not have to be run at subsequent power-ups.



When the rotary switch is turned, the green "STATUS" LED stays on steadily for about 6 seconds, after which it resumes normal operation and saves the address.

4.1 "AUTONODE PORT 1" SEQUENCE

Function

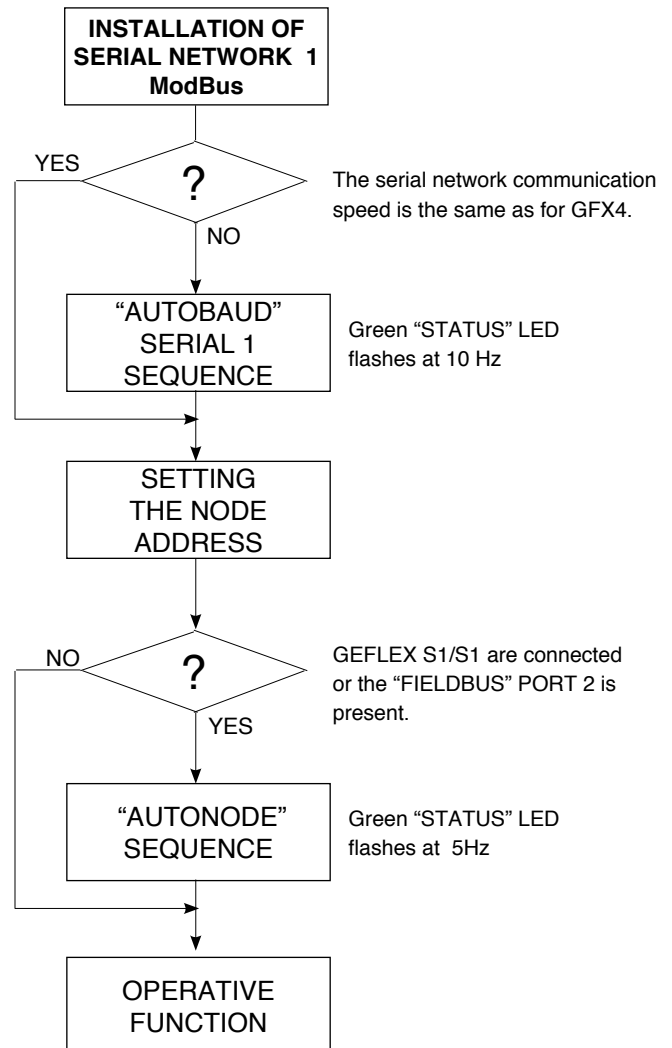
Assigning the GFX4/GFXTERMO4 node (ID) address ten to GEFLEX S1/S2.



The L1 "STATUS" green led mentioned in the procedure can vary its behaviour according to the Ld.1 parameter which is 16 as default.

Procedure

- 1) Connect the serial cables to all the module in the serial 1 network, disconnect supervision or GFX-OP terminals.
- 2) Turn the rotary switches from the set node address to the position "A+0".
- 3) Check that the "STATUS" green led is blinking at an average frequency (5Hz) for 10 seconds and then that it returns to normal blinking (2Hz).
- 4) Turn the rotary switches in the position of the node address.



5 · TECHNICAL DATA

INPUTS	
IN1,...,IN4 analog process inputs	
Function	Acquisition of process variable
Max. Error	0,2% f.s. \pm 1 scale point at room temperature of 25°C
Thermal drift	< 100 ppm/°C f.s.
Sampling time	120 ms
Thermocouple Tc (ITS90)	J,K,R,S,T (IEC 584-1,CEI EN 60584-1, 60584-2) Fault cold junction comp 0,1°C
Resistance thermometer RTD (ITS90)	Pt100 (DIN 43760) MMax line resistance 20ohm
Voltage	linear: 0,...,60mV, Ri>1Mohm 0,...,1V, Ri>1Mohm a 32 segment custom linearization can be inserted
Current	Linear: 0/4...20mA, Ri =50ohm a 32 segment custom linearization can be inserted
IN5,...,IN8 auxiliary analog inputs (option)	
Function	Acquisition of variables
Accuracy	1% f.s. \pm 1 scale point at room temperature of 25°C
Sampling time	480 ms
Thermocouple Tc (ITS90)	J,K,R,S,T (IEC 584-1,CEI EN 60584-1, 60584-2) Fault cold junction comp 0,1°C
Voltage	linear: 0,...,60mV, Ri>1Mohm
IN9,...,IN12 inputs internal current transformers CT	
Function	Read internal CTs; (The acquisition of current values is valid for voltages in a range of 90...530Vac)
Accuracy	1% f.s. \pm 1 scale point at room temperature of 25°C
Sampling time	60 ms
DI1,...,DI2 digital inputs	
Function	Configurable (default: disabled)
Type	PNP, 24Vdc, 8mA 3500V isolation
OUTPUTS	
OUT1,...,OUT4 heat control outputs connected directly to solid state power units	
Function	Configurable (default: heat control) Control state is displayed by LED (O1,...,O2)
OUT5,...,OUT8 cool control outputs (option)	
Function	Configurable (default: cool control)
Relay type	3A NO contact, 250V/30Vdc $\cos\phi =1$
Continuous type	0/2...10V, (default) max 25mA protection against short circuit 0/4...20mA, max. load 500ohm 1500V isolation
Logic type	24Vdc, > 18V a 20mA
Triac type	230V/ max 4A AC51 (1A for every channel)
OUT9, OUT10 alarms	
Function	Configurable (default: alarms)
Relay type	5A NO contact, 250V/30Vdc $\cos\phi =1$

COMMUNICATION PORTS			
PORT1 (present)			
Function	Local serial communication		
Protocol	ModBus RTU		
Baudrate	Settable to 1,2...57,6Kbit/s, (default 19,2Kbit/s)		
Address node	Settable by rotary switch		
Type	RS485 1500V isolation, double connector RJ10 telephone type 4-4		
PORT2 (Fieldbus option)			
Function	Fieldbus serial communication		
Protocol	ModBus RTU, type RS485, baudrate 1,2...57,6Kbit/s CANOpen 10K...1Mbit/s DeviceNet 125K...0,5Mbit/s Profibus DP 9,6K...12 Mbit/s Ethernet Modbus TCP, Ethernet IP 10/100Mbps EtherCAT, ProfiNET 100Mbps		
POWER (Solid state power units, 4 units)			
Rated voltage	480Vac		
Work voltage range	24...530Vac		
Non-repetitive voltage	1200Vp		
Zero switching voltage	<20V		
Rated frequency	50/60Hz self-setting		
Rated current AC51	30KW 4x16A	60KW 4x32A (4x30)*	80KW 4x40A (4x40)* (single channel 57A $\Sigma I = 160A$)
Non-repetitive overcurrent (t=20msec)	400A	600A	1150A
I _t for fusion (t=1...10msec)	645A ² s	1010A ² s	6600A ² s
Critical Dv/dt with output deactivated	1000V/ μ sec		
Rated isolation voltage	4000V		
FUNCTIONS			
Safety	Detects short circuit or open probe circuit, probe , power supply failure, LBA alarm, HB alarm		
Selection °C/°F	Configurable		
Linear scale range	-1999...9999		
Control actions	4 control loops: Double action (heat/cool) Pid, on-off Self-tuning at power-up, Continuous Autotuning, One-shot Autotuning		
pb-dt-it	0,0...999,9 % – 0,00...99,99 min – 0,00...99,99 min		
Action – control outputs	heat/cool – ON/OFF, PWM, GTT		
Heat/cool max. power limitation	0,0...100,0 %		
Cycle time - Softstart	0...200 s - 0,0...500,0 min softstart at phase slicing		
Fault power setting	-100,0...100,0 %		
Shut-down function	Maintains sampling of process variable PV; when active, disables control		
Configurable alarms	Alarm is assigned to an output, configurable as: maximum, minimum, symmetrical, absolute/deviation, LBA, HB		
Alarm masking	Exclusion at power-up, latch, reset by digital input		
Diagnostics	SCR in short circuit (presence of current with control OFF) SCR open (presence of voltage on SCR with control ON) Load interrupted or no voltage (no current, no voltage on SCR with control ON)		
Connection and load types Selection with dip-switches	4 loads single-phase , 2 loads 3-phase, star without neutral controlled on two phases 2 loads 3-phase, closed triangle controlled on two phases 1 load 3-phase, star with neutral controlled on one phase 1 load 3-phase, open triangle controlled on one phase (with 3-phase load, 4 CTs are needed if diagnostics is required))		

* UL certificate

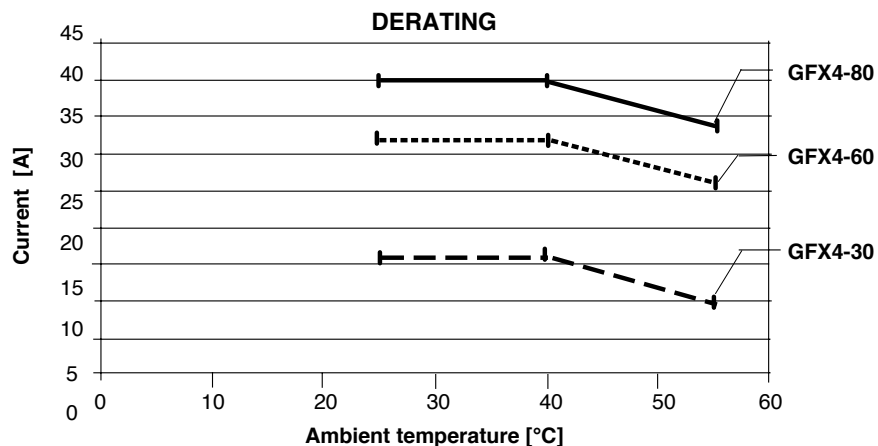
GENERAL DATA	
Power supply	24Vdc \pm 25%, max 8VA
Indicators	Eight LEDs: RN CPU in run state ER fault signal DI1, DI2 state of digital inputs O1,...,O4 state of outputs
Protection	IP20
Work/storage temperature	0...50°C (see dissipation curves) / -20...70°C
Relative Humidity	20...85% Ur non-condensing
Ambient work conditions	indoor use, altitude up to 2000m
Installation	DIN RAIL EN50022 o pannello tramite viti
Installation instructions	Installation category II, pollution level 2, double isolation Maximum surrounding air temperature 50°C (for UL). Open type equipment
Weight	
models 30Kw, 60Kw, 80Kw	1200g.
models 30Kw, 60Kw con fusibili	1600g.

5.2 VOLTAGE/CURRENT TABLE

Model GFX4	Current (Amp)		Voltage (Vac)			Power (kW)		
	max for channel		range	nominal	working	total contemporary	single channel	max for single channel
30 (4x16A)	16		24...530	480	110	(4x16x110) 7	(16x110) 1,7	(1x16x110) 1,7
					230	(4x16x230) 14,7	(16x230) 3,6	(1x16x230) 3,6
					400	(4x16x400) 25,6	(16x400) 6,4	(16x400) 6,4
					480	(4x16x480) 30,7	(16x480) 7,6	(1x16x480) 7,6
60 (4x32A) (4x30A)*	32 (30)*		24...530	480	110	(4x32x110) 14	(32x110) 3,5	(32x110) 3,5
					230	(4x32x230) 29,4	(32x230) 7,3	(1x32x230) 7,3
					400	(4x32x400) 51,2	(32x400) 12,8	(1x32x400) 12,8
					480	(4x32x480) 61,4	(32x480) 15,3	(1x32x480) 15,3
80 (4x40A)	40*	57	24...530	480	110	(4x40x110) 17,6	(40x110) 4,4	(1x57x110) 62,7
					230	(4x40x230) 36,8	(40x230) 9,2	(1x57x230) 13,1
					400	(4x40x400) 64	(40x400) 16	(1x57x400) 22,8
					480	(4x40x480) 76,8	(40x480) 19,2	(1x57x480) 27,3

* UL Certificate

5.1 DISSIPATION CURVES



Model	EXTRARAPID FUSES				FUSES-HOLDER ISOLATORS
	Size I ² t	Code Format	Model Code	Power Dissipated @ In	Approval Code
GFX4-IR 30 kw	16A 150 A ² s	FUS-016 10x38	FWC16A10F 338470	3,5 W	PFI-10x38 337134 UR30A@690V
GFX4-IR 60 kw	30A 675 A ² s	FUS-030 10x38	FR10GR69V30 338481	4,8 W	PFI-10x38 337134 UR30A@690V
GFX4-IR 80 kw	63A 3080 A ² s	FUS-063 22x58	FWP63A22F 338191	11 W	PFI-22x88 337223 UR80A@600V

GEFRAN

GEFRAN spa

via Sebina, 74 - 25050 Provaglio d'Iseo (BS)

Tel. 03098881 - fax 0309839063 - Internet: <http://www.gefran.com>